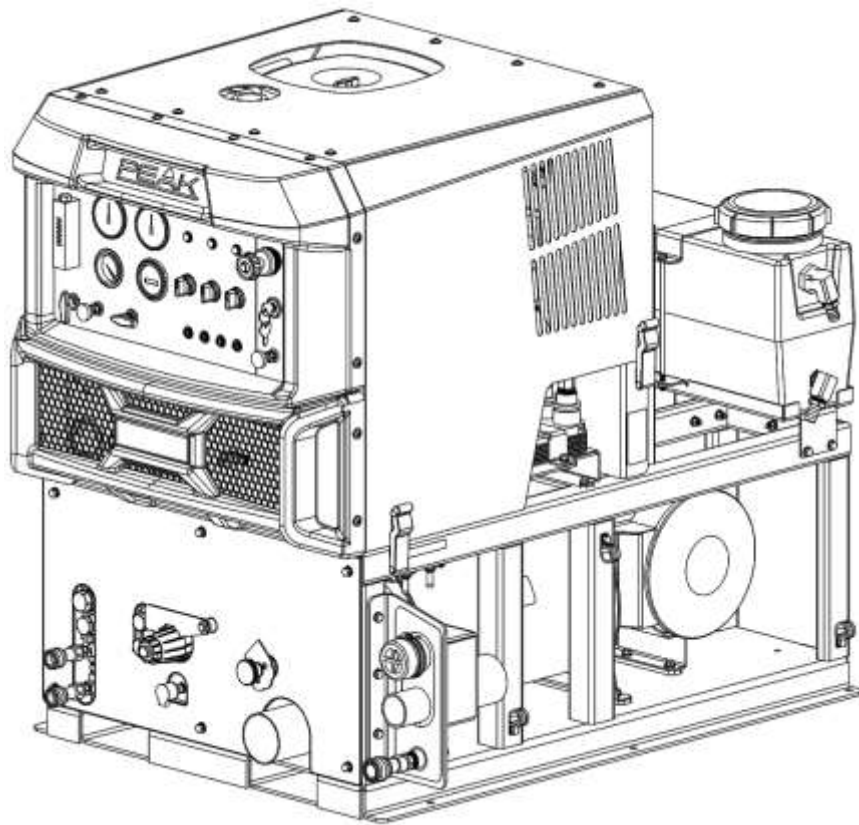


PEAK 500

Parts Listing Manual



Manual P/N 126884
Revision A, October 2022
From Serial Number 1337

USING THIS MANUAL

This Parts Listing manual is an illustrated catalog of parts relating to the product listed on the title page. The illustrations within are exploded views of assemblies. Each item contains a balloon with a number that corresponds to a table that details the part number and description of each item. This table is called a Bill of Materials, or BOM Table for short.

Some items are listed outside the BOM Table due to being service-only OEM parts or other circumstances.

NOTE: If your unit has received an option or service kit, please refer to the instructions provided with the kit for alternate part numbers.

PLEASE REFER TO THE OWNER'S MANUAL FOR YOUR SPECIFIC MODEL FOR INFORMATION ON ORDERING PARTS.

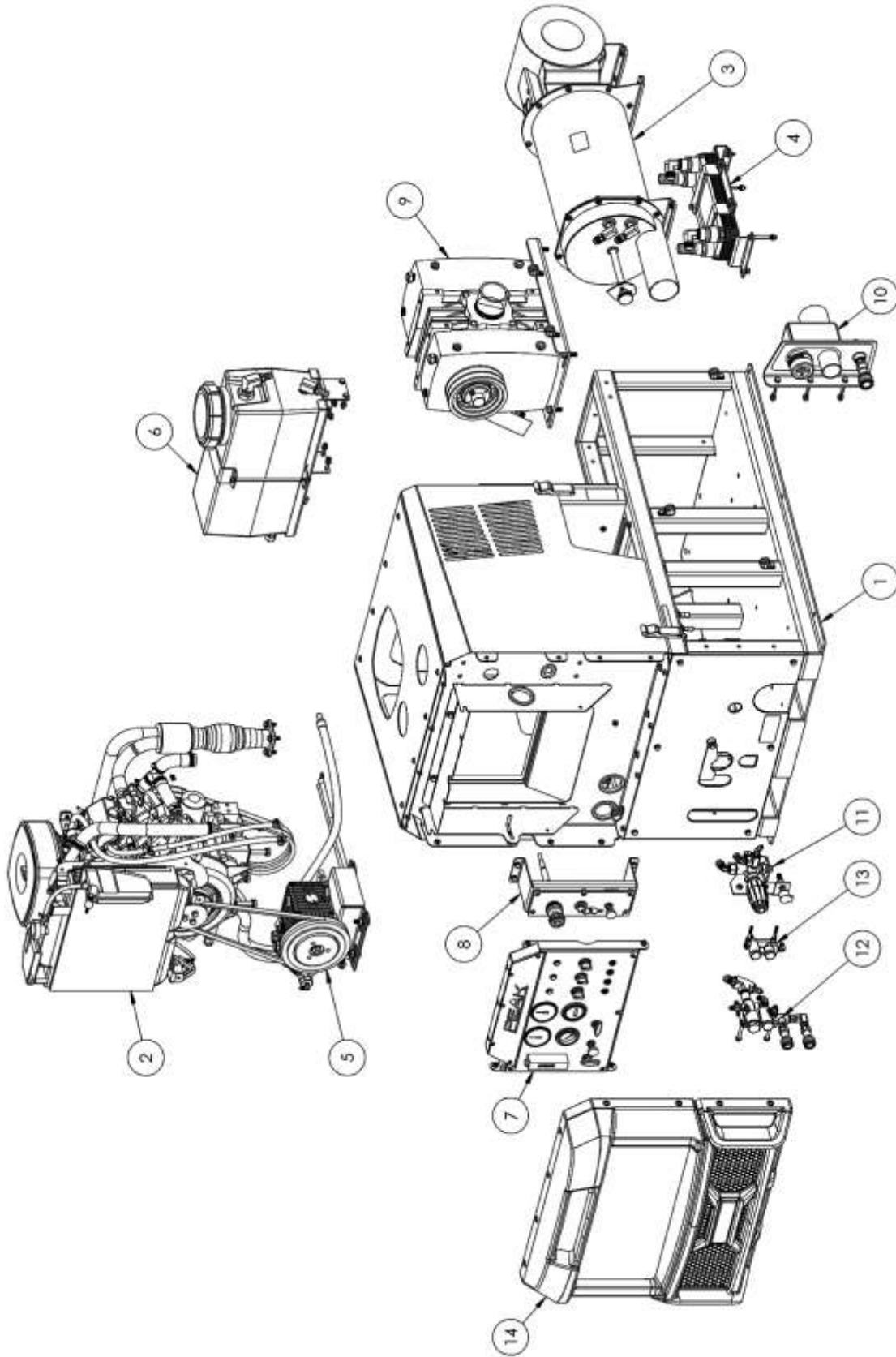
Information in this document is subject to change without notice and does not represent a commitment on the part of Legend Brands.

TABLE OF CONTENTS

CONSOLE ASSEMBLY	1
FRAME AND ENCLOSURES	3
FRONT BEZEL ASSEMBLY	7
LOWER FRONT PANEL ASSEMBLY	8
BELT GUARD ASSEMBLY	9
INSTRUMENT PANEL ASSEMBLY	10
CONTROL PANEL ASSEMBLY	13
ENGINE ASSEMBLY	14
THROTTLE CONTROL ASSEMBLY	19
VACUUM PUMP ASSEMBLY	20
VACUUM RELIEF VALVE ASSEMBLY	21
PRESSURE PUMP ASSEMBLY	22
CHEMICAL PUMP	24
EXHAUST HEAT EXCHANGER ASSEMBLY	25
COOLANT HEAT EXCHANGER ASSEMBLY	27
WATER BOX ASSEMBLY	28
PRESSURE REGULATOR ASSEMBLY	30
SOLUTION MANIFOLD ASSEMBLY	31
BYPASS MANIFOLD ASSEMBLY	33
WATER/VACUUM INLET BRACKET ASSEMBLY	34
90 GALLON WASTE TANK	35
120 GALLON WASTE TANK	37
WASTE TANK PORTS KIT	39
WASTE TANK HOSES KIT	40
FUEL PUMP KIT	41
FUEL PUMP AND HOUSING ASSEMBLY	42
BULKHEAD FUEL FITTING/LINE ASSEMBLY	43
DECALS	44

SECTION FIVE: PARTS LISTING AND REFERENCE

102957, CONSOLE, PEAK 500



SECTION FIVE: PARTS LISTING AND REFERENCE

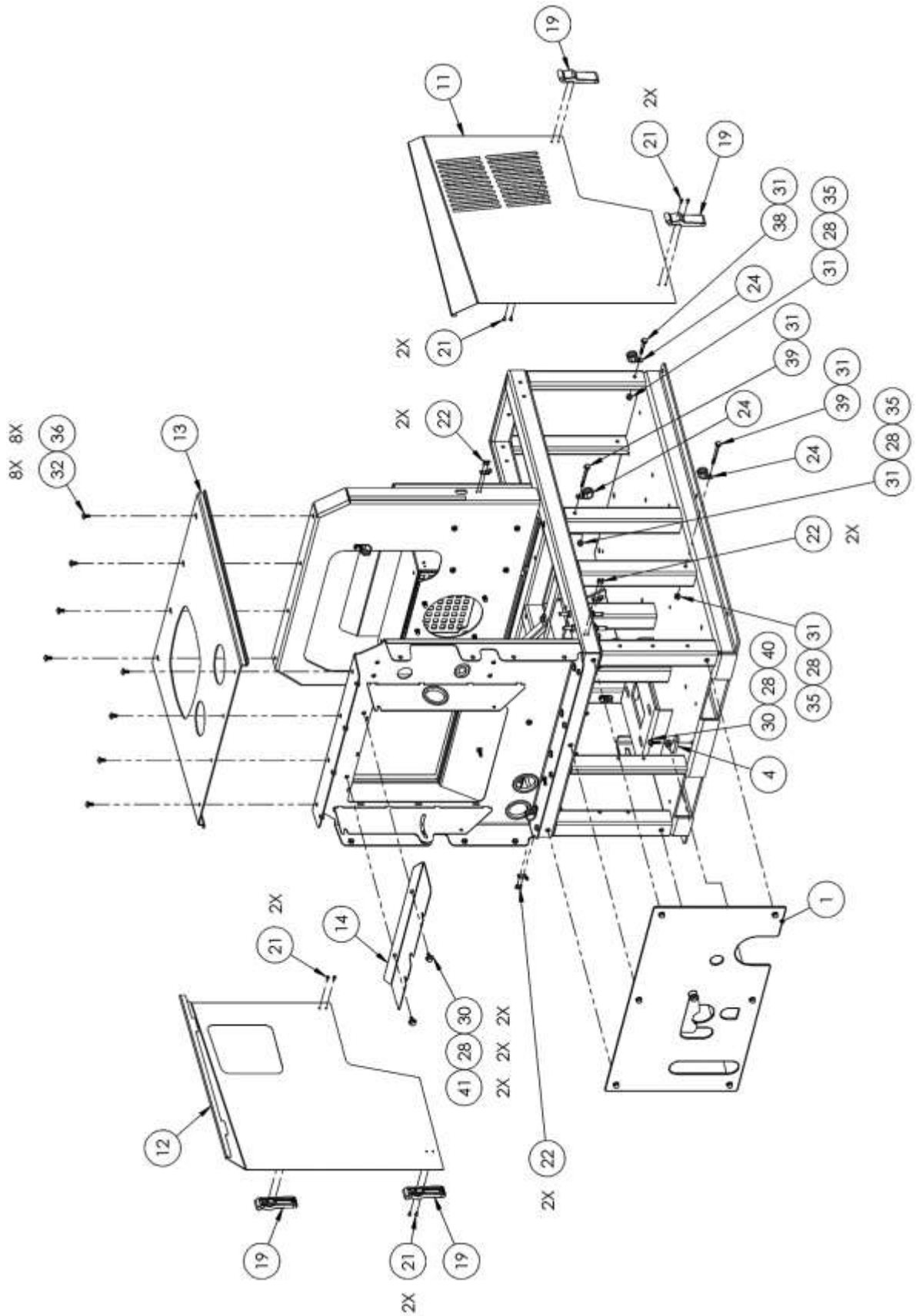
102957, CONSOLE, PEAK 500 BOM TABLE

1	26	103433	DECAL, WARNING CA PROP 65
2	25	125994	CAP, .31-.38 OD VINYL
1	24	114165	DECAL, WARNING, UNLEADED FUEL ONLY
1	23	103645	DECAL, ENGINE COVER WARRANTY
1	22	104334	DECAL,WARNING ELECTRICAL SHOCK
1	21	103644	DECAL, DANGER ROTATING MACHINERY
1	20	113512	TAG, MAX VAC 13 HG
1	19	103430	DECAL, SERIAL
1	18	103415	DECAL, ENGINE OIL DRAIN
1	17	104269	DECAL, WARNING ROTATING MACHINERY
1	16	103640	DECAL, CAUTION HOT SURFACE
1	15	103662	DECAL, WARNING HIGH PRESSURE
1	14	100805	ASSY, THERMOFORMED BEZEL
1	13	100481	ASSY, BYPASS MANIFOLD
1	12	104030	ASSY, SOLUTION MANIFOLD
1	11	100739	ASSY, PRESSURE REGULATOR
1	10	101157	ASSY, WTR-VAC INLET
1	9	104935	ASSY, VACUUM PUMP
1	8	100489	ASSY, CONTROL PANEL
1	7	100910	ASSY, INSTRUMENT PANEL
1	6	104938	ASSY, WATER BOX
1	5	100994	ASSY, PRESSURE PUMP
1	4	102880	ASSY, COOLANT HEAT EXCHANGER
1	3	100537	ASSY, EXHAUST HE PEAK
1	2	100840	ASSY, ENGINE
1	1	102902	ASSY, FRAME & ENCLOSURES
QTY	ITEM	PART NO.	DESCRIPTION

1	EA	105535	HARNES, PEAK 500
1	EA	100913	ASSY, LEVEL SENSOR SHTOFF
QTY	U/M	PART NO.	DESCRIPTION
ITEMS NOT SHOWN IN DRAWING VIEWS			

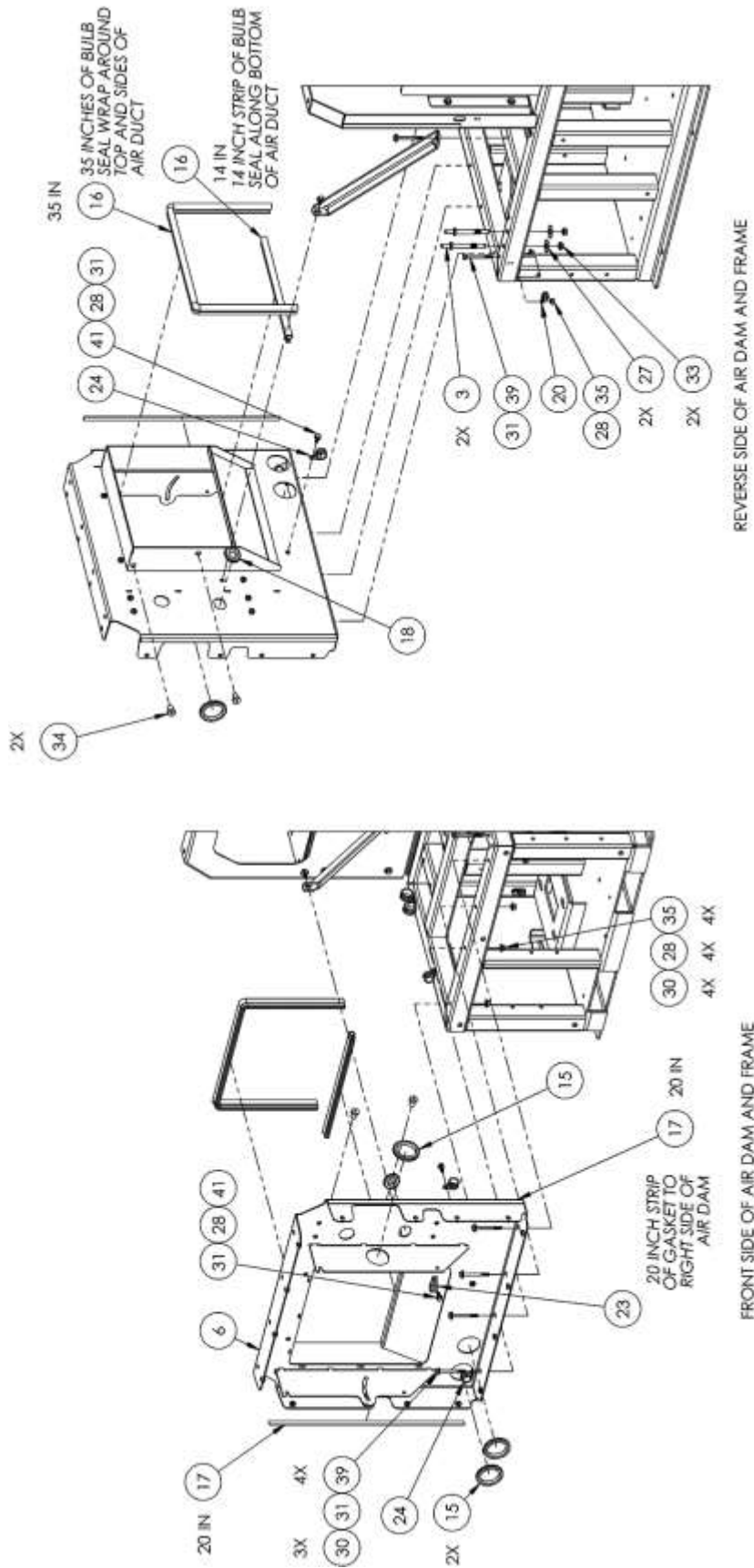
SECTION FIVE: PARTS LISTING AND REFERENCE

102902, FRAME AND ENCLOSURES



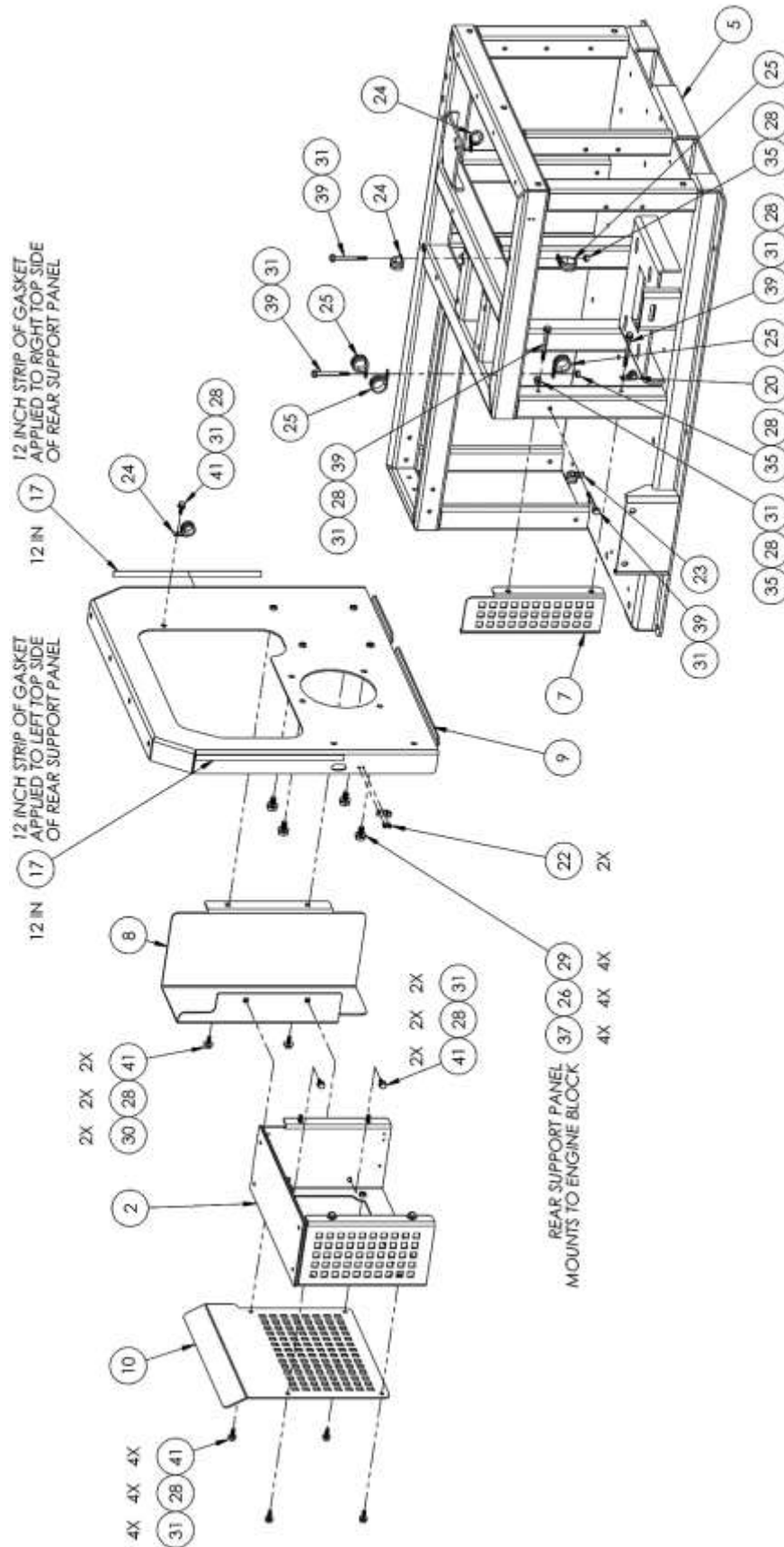
102902, FRAME AND ENCLOSURES

SECTION FIVE: PARTS LISTING AND REFERENCE



102902, FRAME AND ENCLOSURES

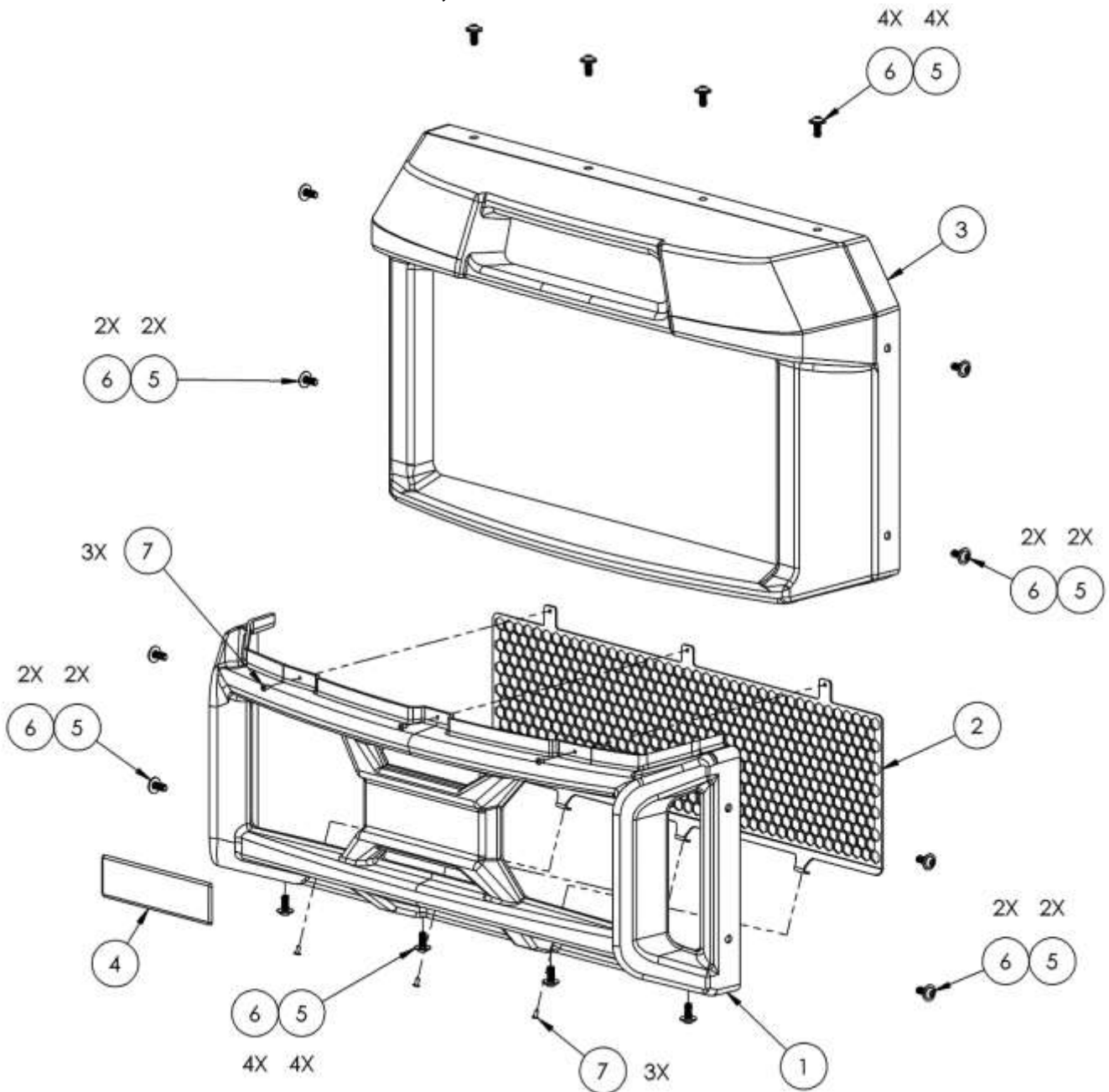
SECTION FIVE: PARTS LISTING AND REFERENCE



SECTION FIVE: PARTS LISTING AND REFERENCE
102902, FRAME AND ENCLOSURES BOM TABLE

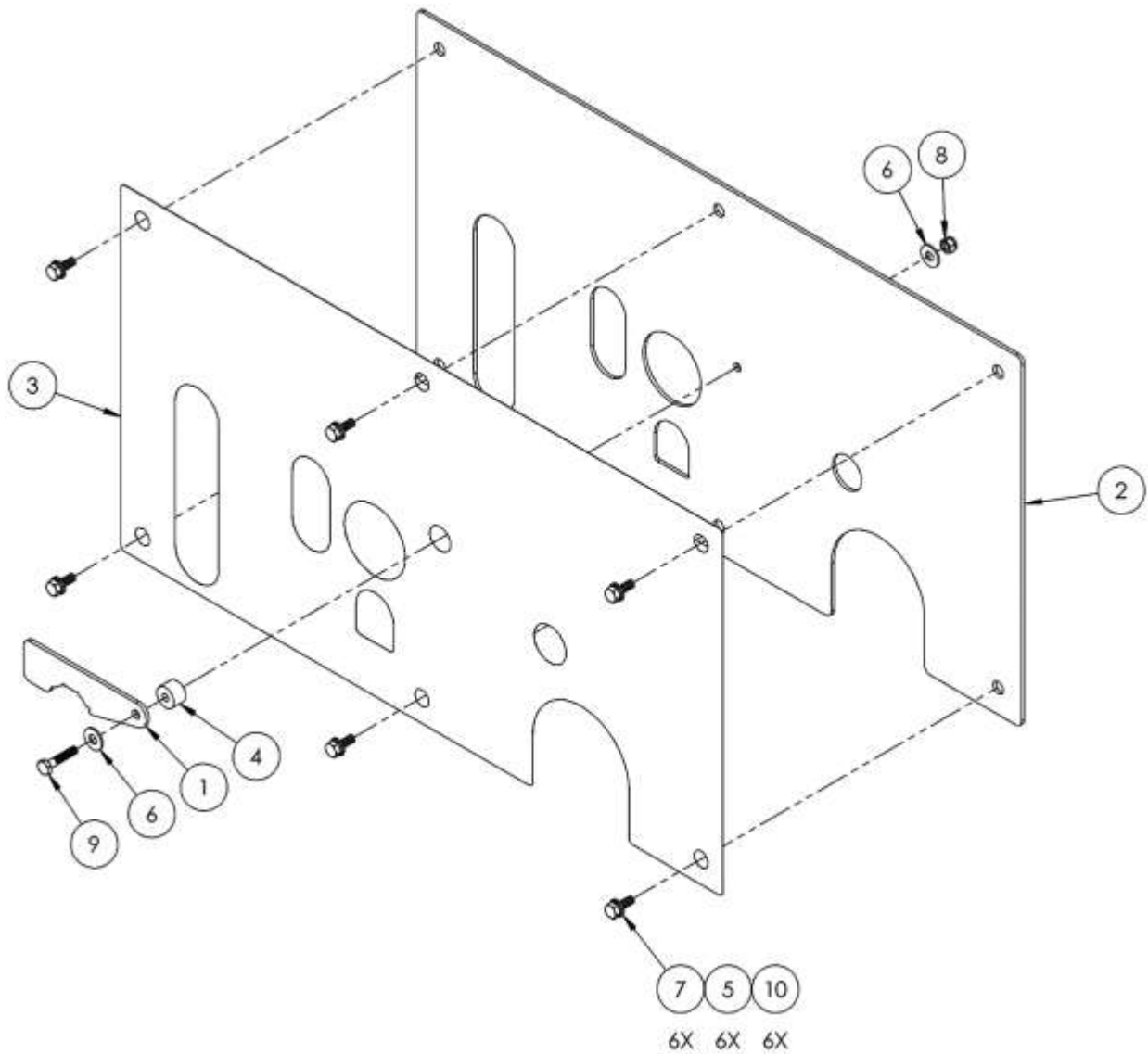
1	43	102810	BRACE, FRONT SUPPORT
1	42	106424	FITTING, 1/4 X 5/16 FUEL LINE MANIFOLD
14	41	124463	SCREW, MACH 1/4-20X3/4 HXHD GRD5 OR 10-032
1	40	124615	SCREW, MACH 1/4-20 X 1 HXHD ZPS
13	39	124467	SCREW, MACH 1/4-20 X 2-3/4HXHD
1	38	124663	SCREW, MACH, 1/4-20 X 1-3/4 HXHD Z5
4	37	126861	SCREW, MACH M10-1.5 X 20MM HXHD Z
8	36	126112	SCREW, MACH 1/4-20 X 5/8 BHSCS ZP
12	35	126799	NUT, 1/4-20 ZINC
2	34	124867	NUT, WELL 1/4-20 X .187 RUBBER
2	33	124825	NUT, 7/16-20 THIN NYLOK ZP
8	32	116630	WASHER, FLAT 1/4 SS ANC
23	31	124468	WASHER, FLAT #12 SAE
15	30	116631	WASHER, FLAT 1/4 USS
4	29	120150	WASHER, FLAT 3/8 USS
29	28	124461	LKWSR, 1/4 ZINC
2	27	114860	WASHER, FLAT, 7/16 ZINC
4	26	126571	LKWSR, 10MM ZINC
4	25	110315	CLAMP, WIRE CUSHION 1.00 ID X 1/4 BOLT
8	24	110316	CLAMP, WIRE CUSHION 3/4 ID X 1/4 BOLT
2	23	102697	CLAMP, WIRE CUSHION 5/8 ID X 1/4 BOLT
8	22	119268	RIVET, 5/32 X .312 HD .251-.375 GRIP SS
8	21	112026	RIVET, 5/32 X .312 HD .062-.125 GRIP SS
2	20	102869	CLAMP, WIRE CUSHION 3/8 X 1/4 BOLT
4	19	109529	LATCH, DRAW SS CONCEALED MOUNT
1	18	117221	GROMMET, 1 ID X 1-3/4OD
5.33 FT	17	105230	GASKET, VINYL SPONGE W/PSA
4.08 FT	16	113815	TRIM, BULB SEAL .125THK .625 BULB BLK
3	15	105704	GROMMET, 2.0 ID X 2-5/8 OD X 1/8 PANEL
1	14	110959	PNL, AIR BAFFLE
1	13	111158	PNL, TOP HOOD
1	12	118976	PNL, LEFT SIDE HOOD
1	11	110913	PNL, RIGHT SIDE HOOD
1	10	118925	PNL, BELT GUARD COVER
1	9	116030	WMT, REAR SUPPORT
1	8	117066	WMT, HEAT SHIELD
1	7	117067	WMT, LOWER REAR BELT GUARD
1	6	120425	WMT, FRONT SUPPORT
1	5	100613	ASSY, FINISHED FRAME PEAK
1	4	102909	ASSY, FRONT PANEL BRACKET
1	3	116767	FITTING, 5/16 FUEL LINE MANIFOLD
1	2	102446	ASSY, BELT GUARD
1	1	100722	ASSY, LOWER PANEL
QTY	ITEM	PART NO.	DESCRIPTION

SECTION FIVE: PARTS LISTING AND REFERENCE
100805, FRONT BEZEL ASSEMBLY



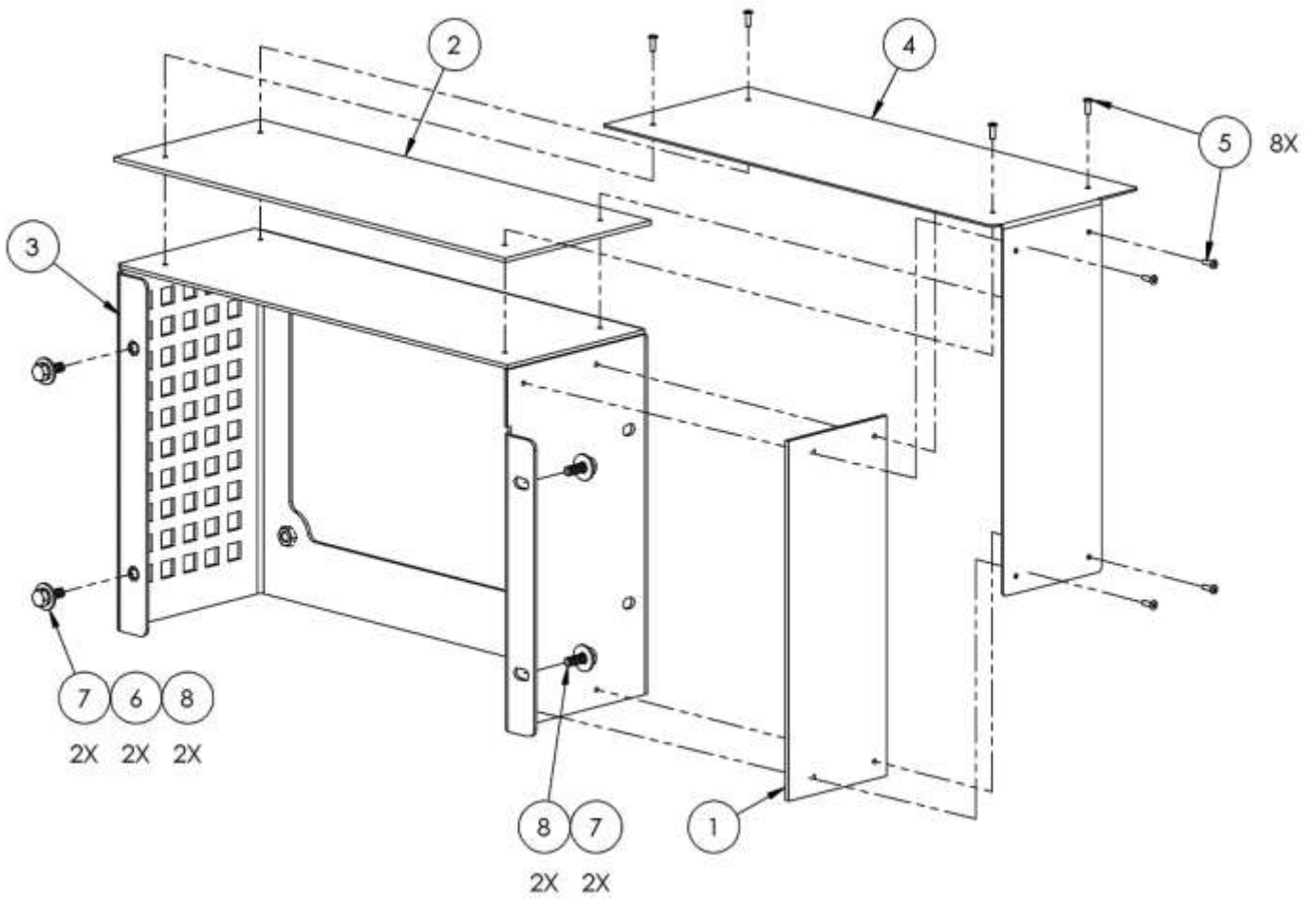
6	7	119269	RIVET, 1/8 X .25 HD .126-.187 GRIP ALUM BLK
16	6	126112	SCREW, MACH 1/4-20 X 5/8 BHSCS ZP
16	5	116630	WASHER, FLAT 1/4 SS ANC
1	4	114170	DECAL, 500 EMBLEM
1	3	113762	THERMOFORM, UPPER BEZEL
1	2	110860	PNL, LOWER GRILLE
1	1	113704	THERMOFORM, LOWER BEZEL
QTY	ITEM	PART NO.	DESCRIPTION

SECTION FIVE: PARTS LISTING AND REFERENCE
100722, LOWER FRONT PANEL ASSEMBLY



6	10	124463	SCREW,MACH1/4-20X3/4 HXHD GRD5 OR 10-032
1	9	124616	SCREW, MACH, 1/4-20 X 1-1/4 HXHD ZINC
1	8	124865	NUT, 1/4-20 NYLOK ZP
6	7	124468	WASHER, FLAT #12 SAE
2	6	116631	WASHER, FLAT 1/4 USS
6	5	124461	LKWSR, 1/4 ZINC
1	4	113248	SPACER, .75 OD X .26 ID X .50 L LDPE
1	3	113606	DECAL, LOWER FRONT
1	2	111094	PNL, LOWER FRONT
1	1	110878	LEVER, REGULATOR STOP
QTY	ITEM	PART NO.	DESCRIPTION

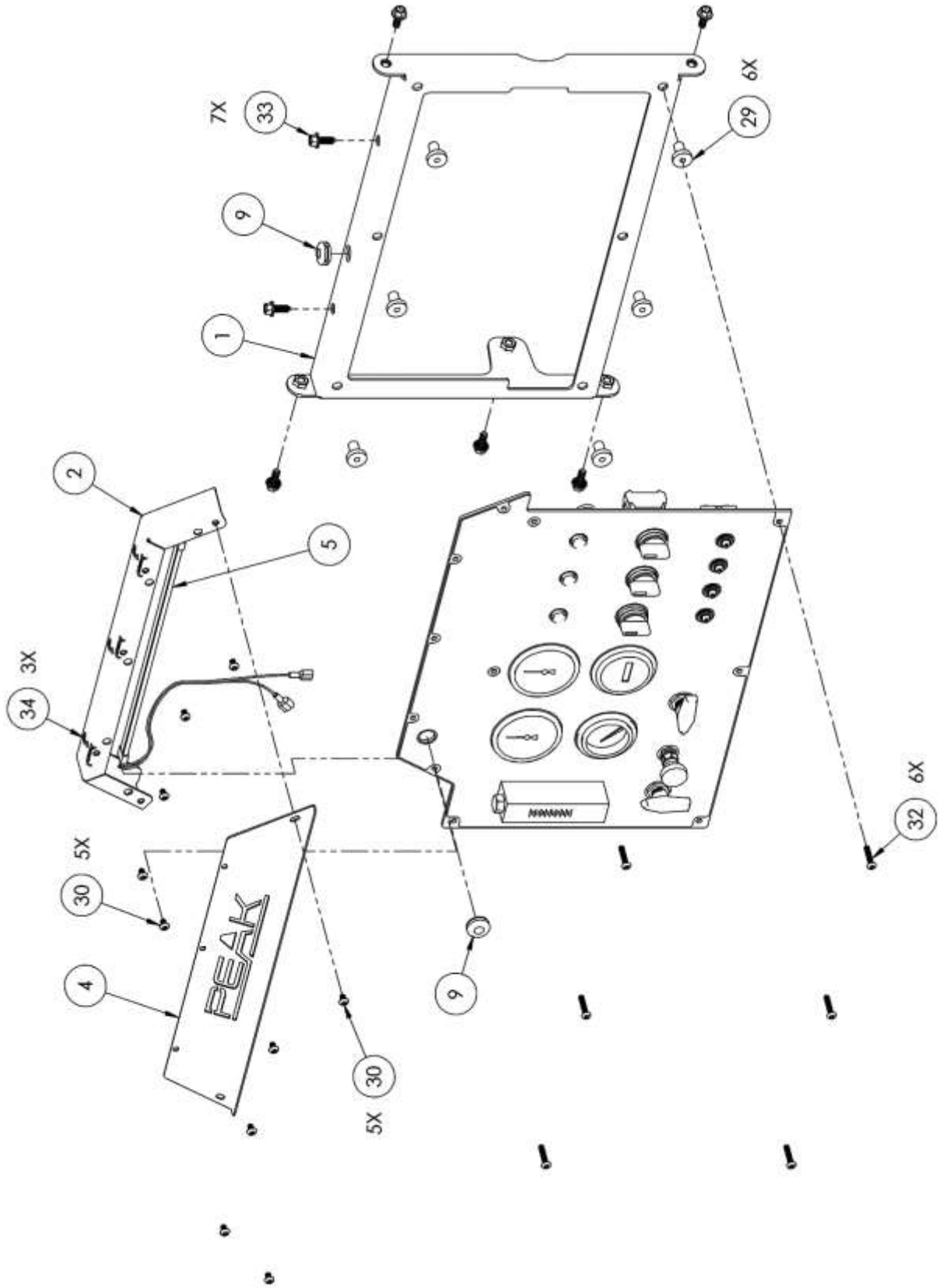
SECTION FIVE: PARTS LISTING AND REFERENCE
102446, BELT GUARD ASSEMBLY



4	8	124463	SCREW, MACH 1/4-20X3/4 HXHD GRD5 OR 10-032
4	7	124462	WASHER, FLAT 1/4 USS
4	6	124461	LKWSR, 1/4 ZINC
8	5	112098	RIVET, ALUM NAMEPLATE
1	4	110729	PNL, BELT GUARD SHIELD
1	3	117070	WMT, REAR BELT GUARD
1	2	108293	INSULATOR, BELT GUARD TOP
1	1	106658	INSULATOR, BELT GUARD SIDE
QTY	ITEM	PART NO.	DESCRIPTION

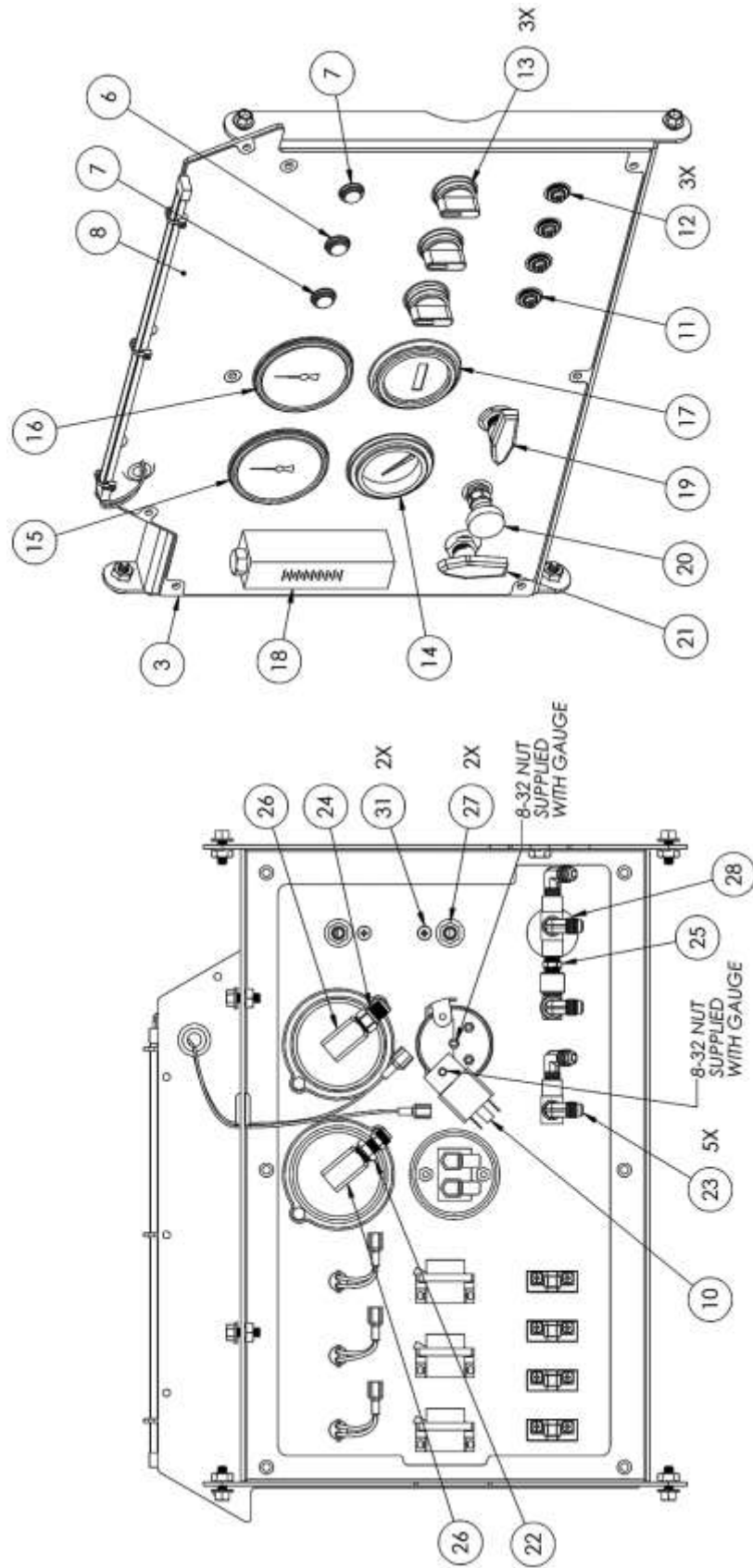
SECTION FIVE: PARTS LISTING AND REFERENCE

100910, INSTRUMENT PANEL ASSEMBLY



100910, INSTRUMENT PANEL ASSEMBLY

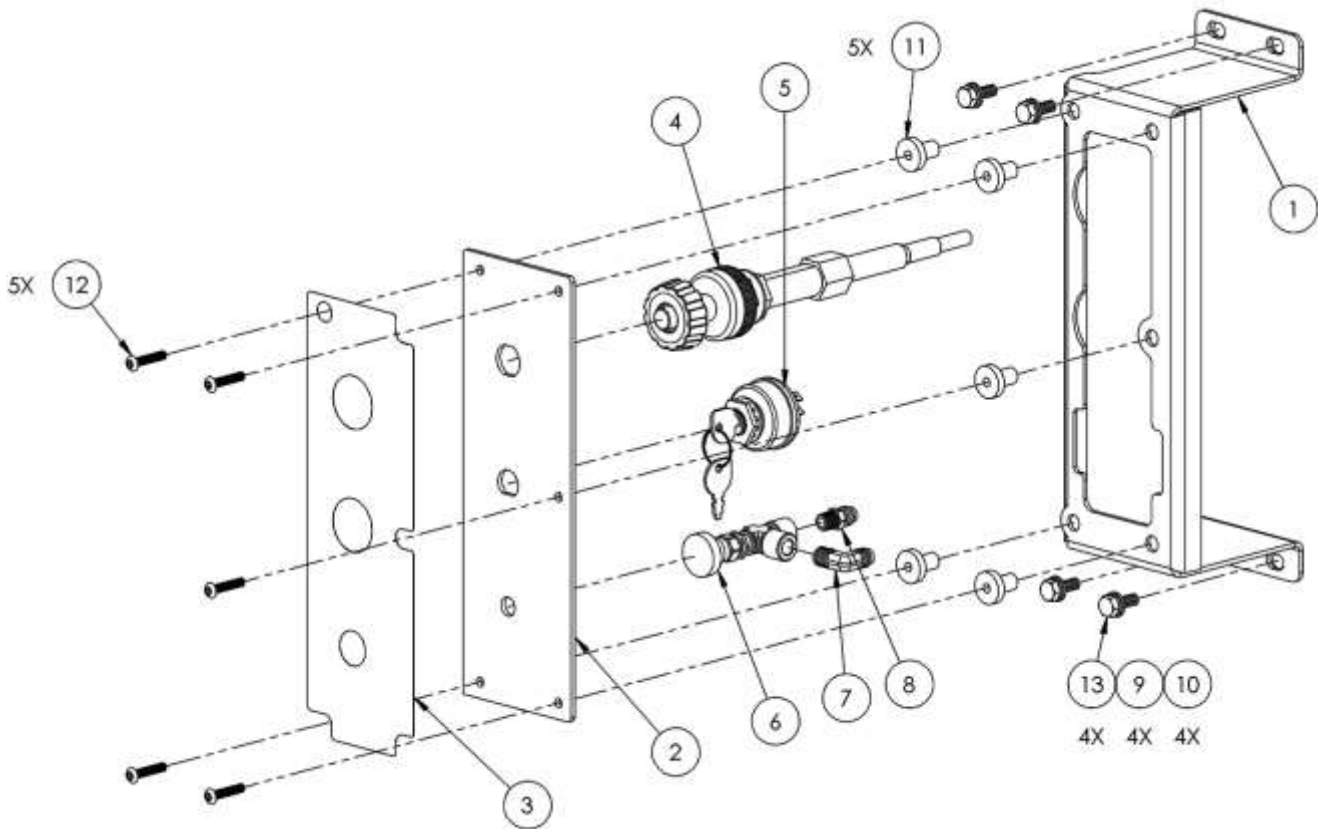
SECTION FIVE: PARTS LISTING AND REFERENCE



SECTION FIVE: PARTS LISTING AND REFERENCE
100910, INSTRUMENT PANEL ASSEMBLY BOM TABLE

3	34	116049	TIE, WIRE 6 IN BLACK
7	33	125050	BOLT, HEX SERRATED FLANGE 1/4-20 X 5/8 ZP
6	32	112471	SCREW, MACH 10-32 X 1 BHSCS SS
2	31	125062	SCREW, MACH 10-32 X 1/4 PHP ZP
10	30	125051	SCREW, 10-32 X 5/16 BHSCS W-NYLON PATCH
6	29	111396	NUT, WELL G 10-32
1	28	125063	WASHER, FLAT 1/2 USS
2	27	105363	FTTG, BARB 1/8 P X 5/16 H BR
2	26	104988	ELL, 1/4 IN. BRASS
1	25	111219	NIP, 1/8 IN HEX BRASS
1	24	103762	CONN, 1/4 NPT X 1/4 JIC BRASS
5	23	104988	ELL, 1-8P X 1/4 T BRASS
1	22	110779	CONN, 1/4 P X 1/4 POLY
1	21	116514	VALVE, 3-WAY BALL 1/8 FP SS
1	20	114691	VLV, MET 1/8 FP (CHEM) RT ANG SS
1	19	114686	VALVE, 2-WAY BALL 1/8 FP SS
1	18	104762	FLOWMETER, 1/8 FP
1	17	106369	HOURMETER, HOBBS CHROME BEZEL
1	16	106840	GAUGE, VACUUM 2.5 IN 0-30 IN/HG
1	15	106839	GAUGE, PRESSURE 2.5 IN 0-1500 PSI
1	14	106842	GAUGE, WTR TEMP CHROME 280 DEG.
3	13	113713	SWITCH, ROTARY NON-ILLUMINATED
3	12	108160	BREAKER, 20A SCREW TERM
1	11	101957	BREAKER, 30A SCREW TERM
1	10	111850	RELAY, ENG.SHTDWN 12V 40/60AMP
2	9	105430	GROMMET, 7/8" OD X 3/8" ID X 1/8" PANEL
1	8	104314	DECAL, INSTRUMENT PANEL
2	7	118134	LIGHT ASSY, RED INDICATOR
1	6	108922	LIGHT ASSY, AMBER INDICATOR
1	5	108124	LIGHT ASSY, BLUE LED STRIP
1	4	110375	PLT, PEAK NAMEPLATE
1	3	118877	PLT, INSTRUMENT PANEL
1	2	120416	WELDMENT, BEZEL LIGHT & NP BRKT
1	1	116026	WMT, INSTRUMENT PANEL SUPPORT
QTY	ITEM	PART NO.	DESCRIPTION

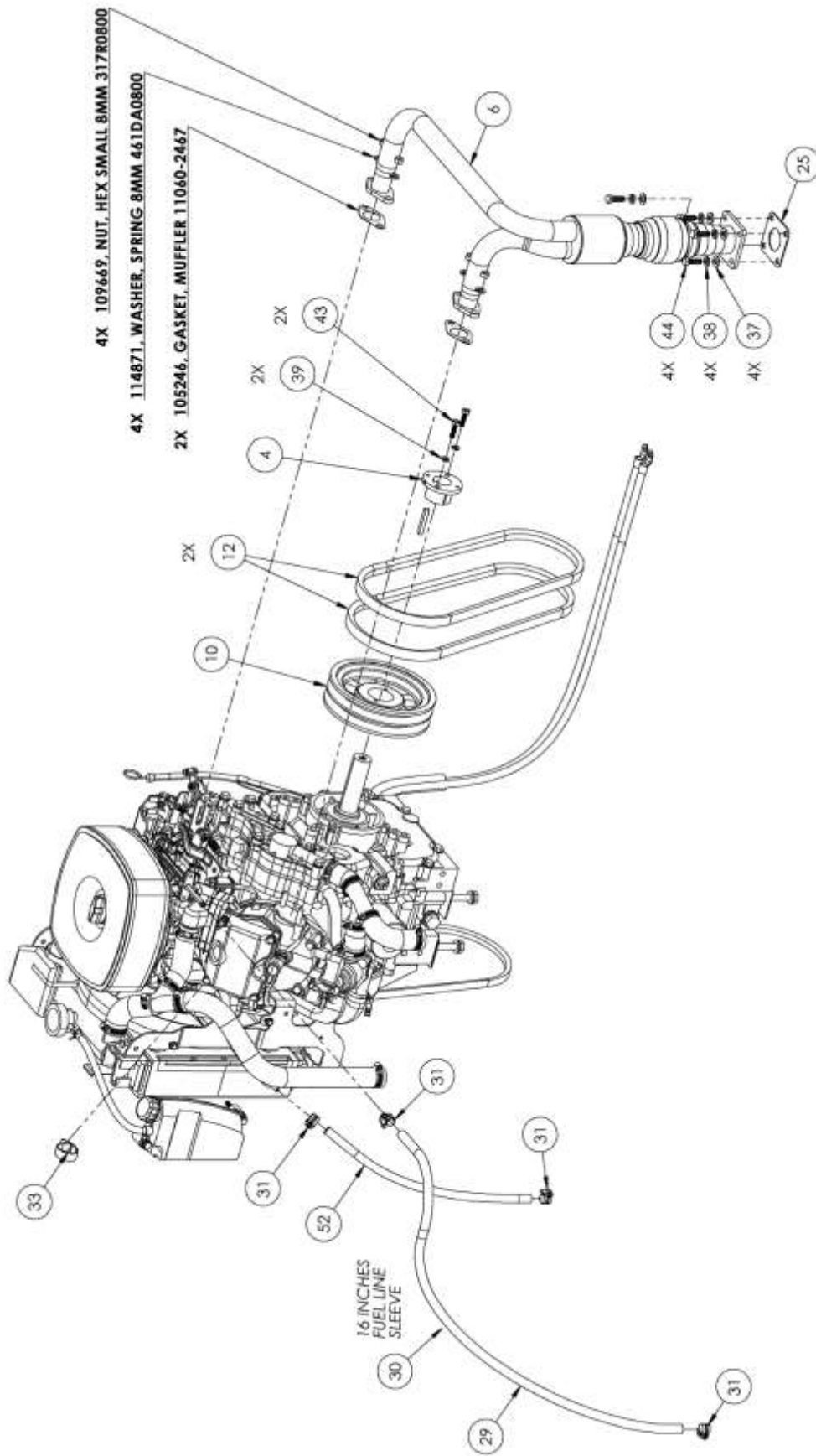
SECTION FIVE: PARTS LISTING AND REFERENCE
100489, CONTROL PANEL ASSEMBLY



4	13	112553	SCREW, MACH 1/4-20 X 3/4 HXHD ZP
5	12	112471	SCREW, MACH 10-32 X 1 BHSCS SS
5	11	111396	NUT, WELL G 10-32
4	10	124468	WASHER, FLAT #12 SAE
4	9	124461	LKWSR, 1/4 ZINC
1	8	103760	CONN, 1/8 P X 1/4 T BR
1	7	104988	ELL, 1-8P X 1/4 T BRASS
1	6	114691	VLV, MET 1/8 FP (CHEM) RT ANG SS
1	5	113676	SWITCH, BRIGGS & STRATTON
1	4	109100	CABLE, THROTTLE
1	3	104274	DECAL, CONTROL PANEL
1	2	118863	PLT, CONTROL PANEL
1	1	115724	WMT, CONTROL PANEL SUPPORT
QTY	ITEM	PART NO.	DESCRIPTION

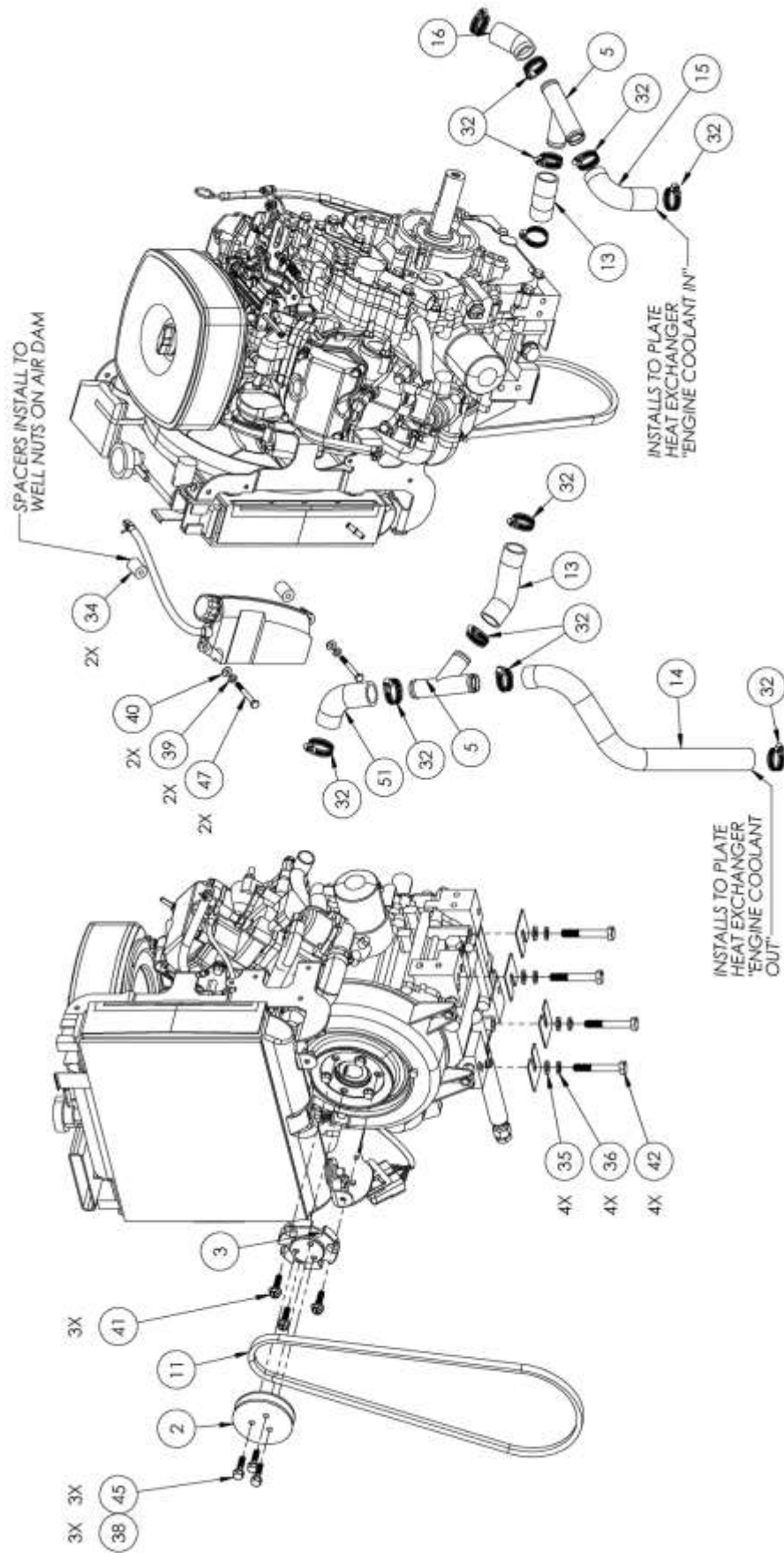
100840, ENGINE ASSEMBLY

SECTION FIVE: PARTS LISTING AND REFERENCE

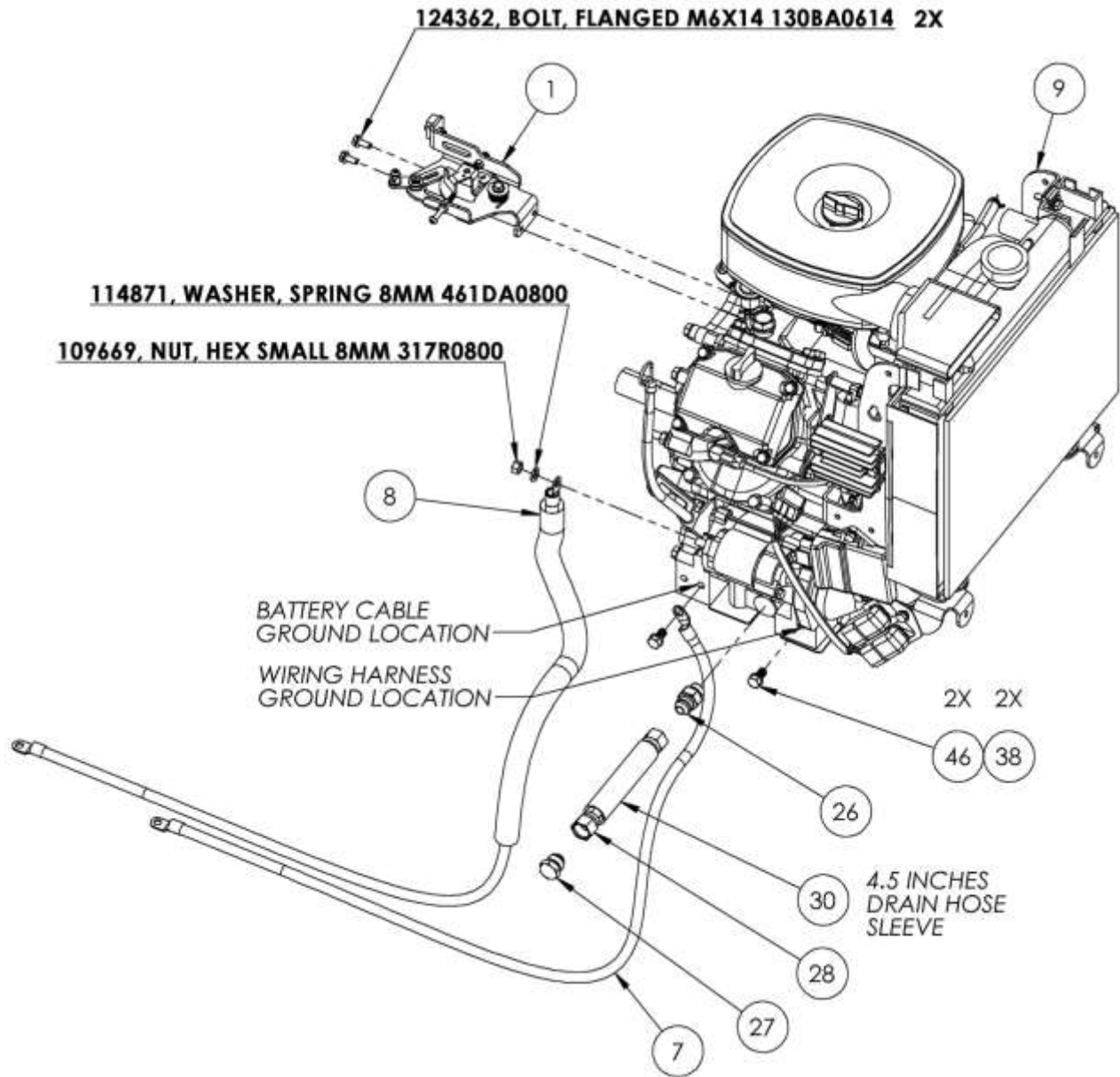


100840, ENGINE ASSEMBLY

SECTION FIVE: PARTS LISTING AND REFERENCE



SECTION FIVE: PARTS LISTING AND REFERENCE
100840, ENGINE ASSEMBLY

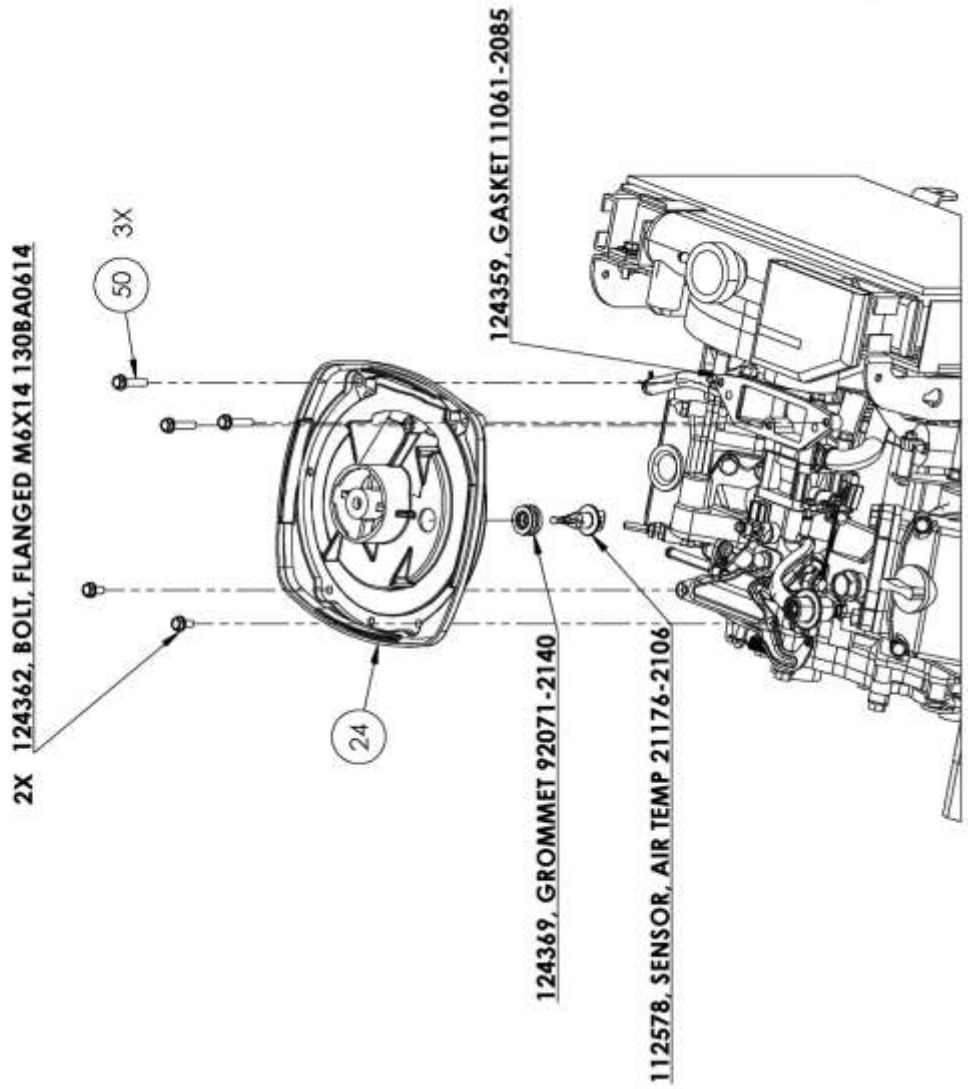
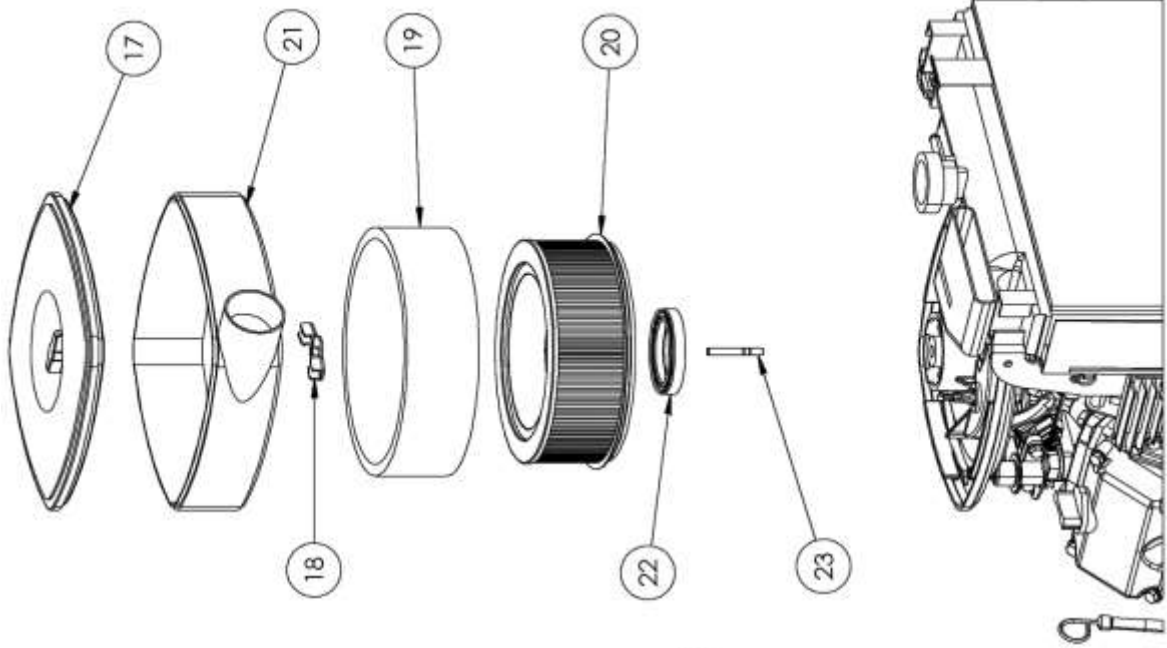


SERVICE PARTS NOT SHOWN IN DRAWING VIEWS:

- 104903, FILTER, OIL 49065-2071
- 115344, SPARK PLUG, BPR4ES SOLID
- 114396, SCREEN, RADIATOR 14037-2142
- 122725, CAP, RESERVOIR 11012-1084

100840, ENGINE ASSEMBLY

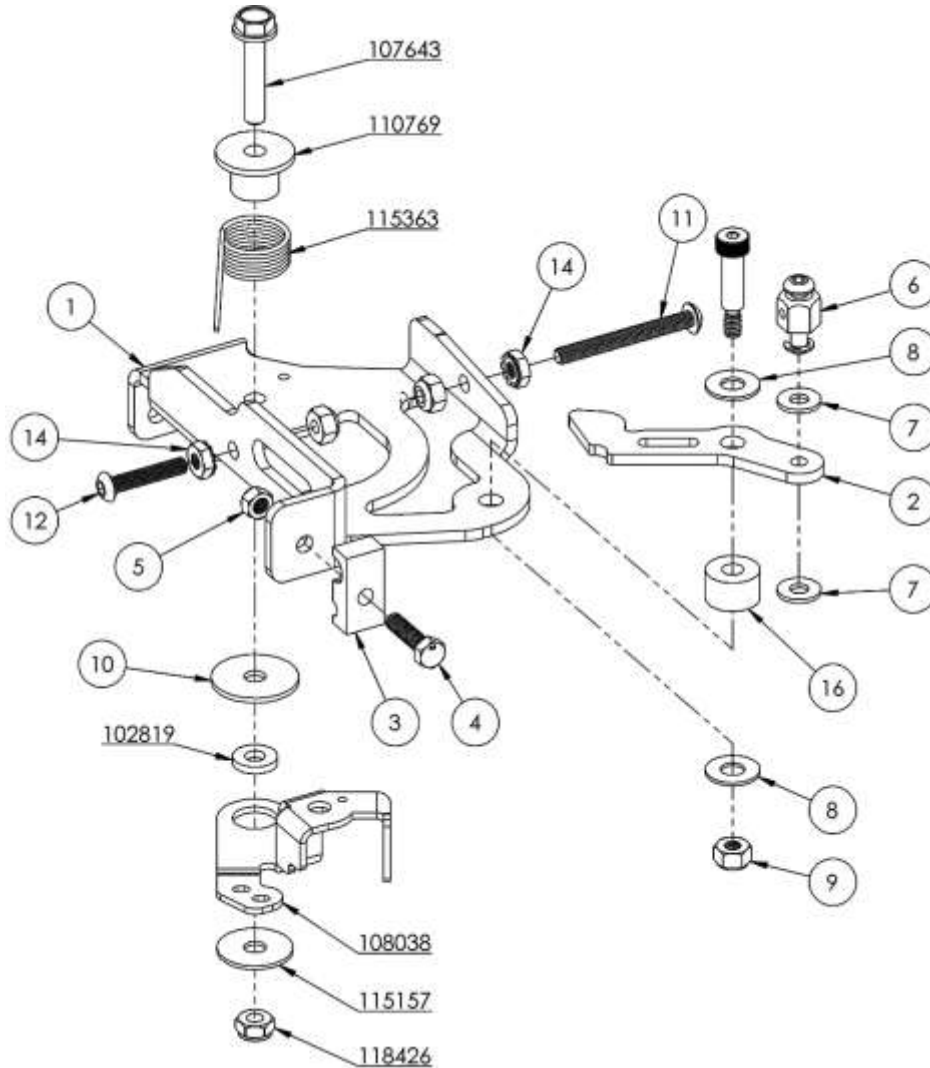
SECTION FIVE: PARTS LISTING AND REFERENCE



SECTION FIVE: PARTS LISTING AND REFERENCE
100840, ENGINE ASSEMBLY BOM TABLE

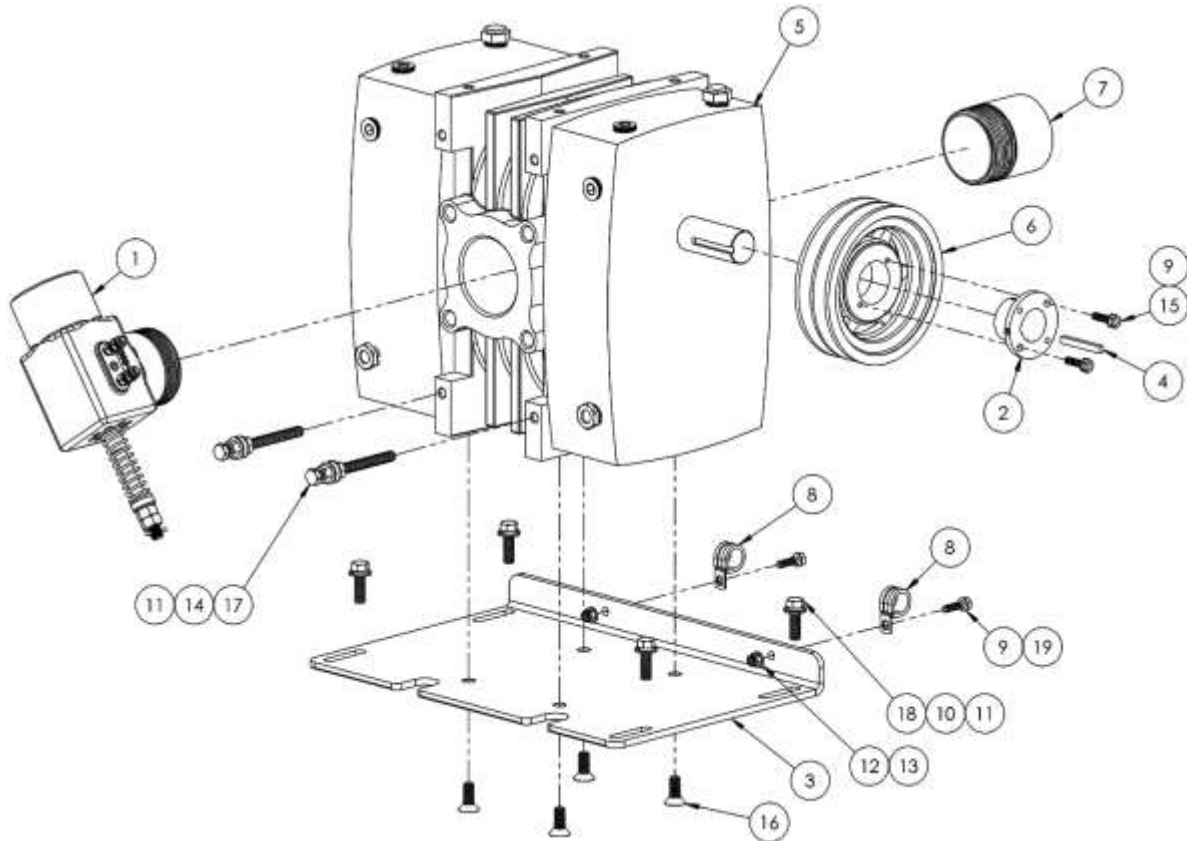
1	52	117445	HOSE, FUEL 1/4 30R9 FUEL INJECTION
1	51	117477	HOSE, RADIATOR 1 X 1.25 ID
3	50	124393	BOLT, FLANGED M6-1.0 X 30MM 8.8 ZP
1	49	124290	SEAL, 42X65X8 CRW1C V KAWASAKI
1	48	108371	KEYSTK, 1/4 SQUIRE X 1.75L 304 SS
2	47	124668	SCREW, MACH, 1/4-20 X 2-1/4 HXHD Z5
2	46	124395	SCREW, MACH M8-1/25 X 16 HEXHD
3	45	124397	SCREW, MACH 5/16-18 X 1-1/4 HXHD
4	44	124662	SCREW, MACH, 5/16-18 X 1 HXHD Z5
2	43	124396	SCREW, MACH 1/4-20 X 1 HXHD YZ8
4	42	126567	SCREW, M10-1.5 X 70MM Z HXHD G8.8
3	41	126569	BOLT, HEX FLANGE M8-1.25 X 30MM YZP
2	40	124468	WASHER, FLAT #12 SAE
4	39	124461	LKWSR, 1/4 ZINC
9	38	126570	LKWSR, 5/16 ZINC
4	37	124460	WASHER, FLAT 5/16 SAE ZINC
4	36	126571	LKWSR, 10MM ZINC
4	35	124398	WASHER, FLAT M10
2	34	124341	SPACER, .26 ID X .75 OD X 1 L LDPE
1	33	110202	CLAMP, 1-1/4 ID VINYL COVERED
12	32	110209	CLAMP, HOSE #16
4	31	103663	CLAMP, HOSE #4
20.5 IN	30	113135	SLEEVE, 1ID WOVEN NYLON BLACK
4.0 FT	29	105925	HOSE, FUEL 5/16 30R9 FUEL INJECTION
1	28	107485	HOSE ASSY, .38 ID X 08 FJIC X 6.5L
1	27	110900	PLUG, 1/2 T BR
1	26	100058	ADAPTER, 08 JIC X M16-1.5 SS
1	25	105475	GASKET, ENGINE EXHAUST KUBOTA 31 HP
1	24	103499	CASE, AIR FILTER 11011-2334
1	23	113555	STUD, M6X30 92004-2152
1	22	112815	SEAL, 92093-2123
1	21	103500	CASE, AIR FILTER BODY 11011-2314
1	20	104071	ELEMENT, AIR FILTER 11013-2213
1	19	104883	ELEMENT, AIR FILTER 11013-2199
1	18	118410	NUT 92210-2079
1	17	102626	CASE, AIR FILTER UPPER 11011-2358
1	16	117467	HOSE, LOWER SEGMENT B
1	15	106296	HOSE, LOWER SEGMENT A
1	14	106007	HOSE, RADIATOR UPPER
2	13	105920	HOSE, BYPASS
2	12	101636	BELT, BX41 GATES EPDM
1	11	102131	BELT, AX43 GATES EPDM
1	10	111435	SHEAVE, BROWNING 2BK70H
1	9	116324	ENGINE, KAWASAKI FD851D-DFI
1	8	100474	ASSY, BATTERY CABLE RED THERMAL
1	7	100775	ASSY, BATTERY CABLE BLK THERMAL
1	6	117062	WMT, EXHAUST TUBES
2	5	120418	WMT, COOLANT Y ADAPTER
1	4	106179	HUB, H X 1-1/8 W/SET SCREW
1	3	100029	ADAPTER, FRONT PULLEY
1	2	119081	PULLEY, ENGINE FRONT
1	1	100806	ASSY, THROTTLE CONTROL
QTY	ITEM	PART NO.	DESCRIPTION

SECTION FIVE: PARTS LISTING AND REFERENCE
100806, THROTTLE CONTROL ASSEMBLY



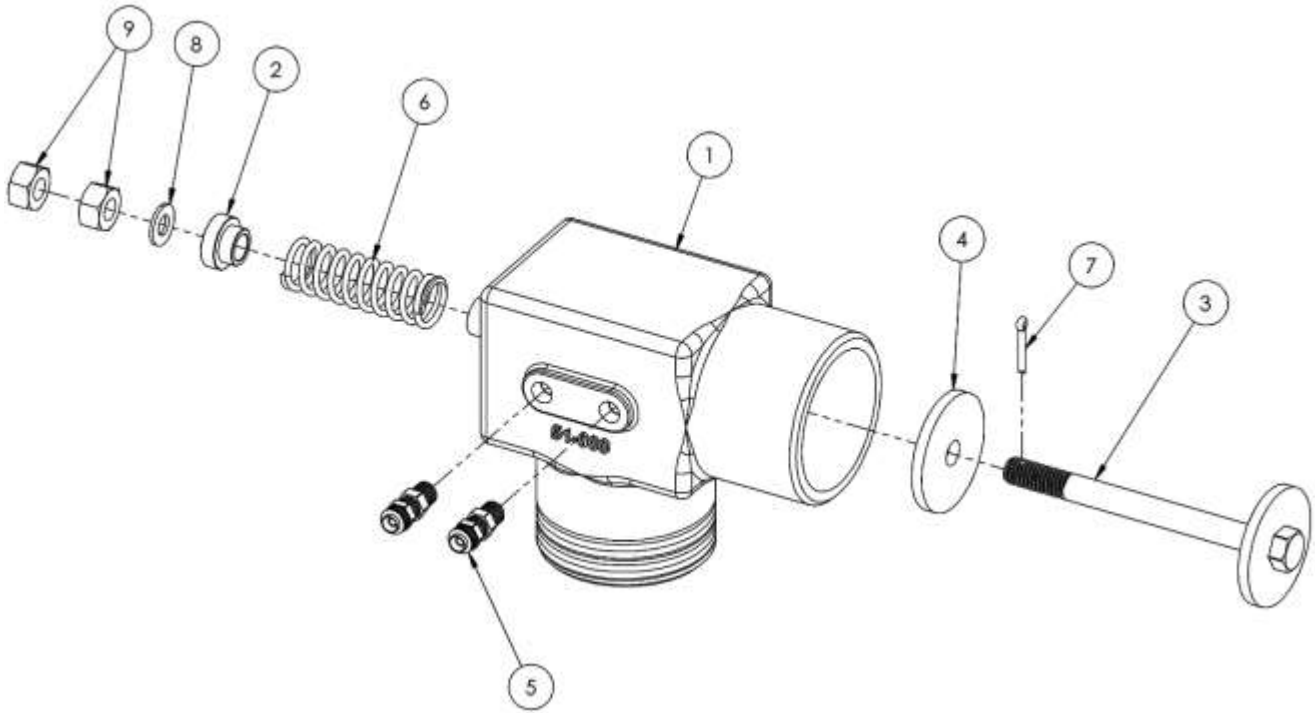
1	16	126870	SPACER, RND 5/8 OD X 3/8 L X 1/4 SCR ZPS
1	15	126869	BOLT, SHOULDER 1/4 X 3/4 X 10-24 SHCS BO
2	14	126809	NUT, 10-32 KEPS SS
2	13	126808	NUT, 10-32 NM NYLOK SS
1	12	112471	SCREW, MACH 10-32 X 1 BHSCS SS
1	11	126179	SCREW, MACH 10-32 X 1.75 BHSCS SS
1	10	126828	WASHER, FENDER 1/4 X 1.0 ZP
1	9	126827	NUT, 10-24 NYLOK SS
2	8	116630	WASHER, FLAT 1/4 SS ANC
2	7	123608	WASHER, FLAT #10 SS
1	6	116977	WIRE PIVOT, 3/16 SHANK X 1/4 GRIP
1	5	109671	NUT, M5-0.8 NYLOCK ZP
1	4	126825	SCREW, MACH M5-0.8 X 20MM Z HXHD G8.8
1	3	111856	RETAINER, CABLE
1	2	108871	LEVER, THROTTLE CONTROL
1	1	102023	BRKT, THROTTLE CONTROL
QTY	ITEM	PART NO.	DESCRIPTION

SECTION FIVE: PARTS LISTING AND REFERENCE
104935, VACUUM PUMP ASSEMBLY



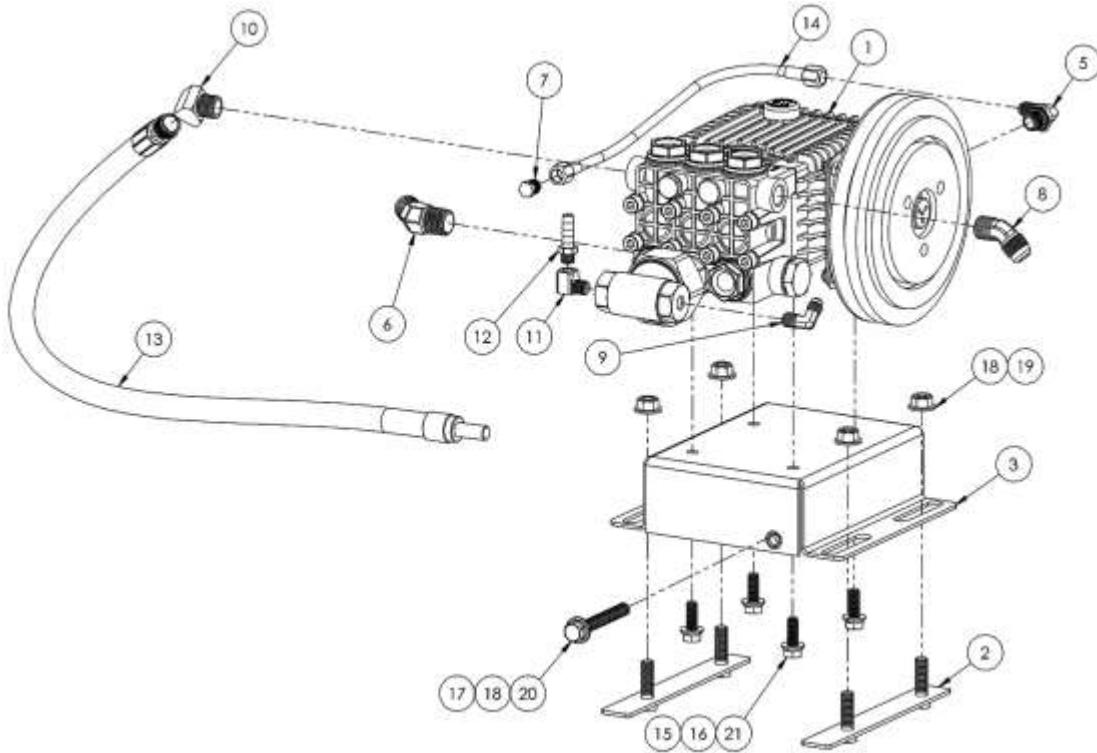
2	19	124615	SCREW, MACH 1/4-20 X 1 HXHD ZPS
4	18	124833	SCREW, MACH 3/8-16 X 1-1/4 HEXHD
2	17	124816	BOLT, TAP 3/8-16 X 4 G5 ZP
4	16	125885	SCREW, 3/8-16 X 1 FHSCS BO
2	15	124396	SCREW, MACH 1/4-20 X 1 HXHD YZ8
4	14	125067	NUT, 3/8-16 ZP
2	13	124865	NUT, 1/4-20 NYLOK ZP
2	12	124468	WASHER, FLAT #12 SAE
8	11	120150	WASHER, FLAT 3/8 USS
4	10	108930	LKWSR, 3/8 ZINC
4	9	124461	LKWSR, 1/4 ZINC
2	8	110316	CLAMP,WIRE CUSHION 3/4 ID X 1/4 BOLT
1	7	111294	NIPPLE, TOE 2-1/2 NPT X 3 IN ALUM
1	6	111278	PULLEY, BROWNING 2BK62H
1	5	116470	VACUUM PUMP, GD TI-406
1	4	106759	KEYSTOCK, 1/4 X 3/16 X 2.0 IN UNDERSIZED
1	3	118861	PLT, BLOWER MOUNT
1	2	117555	HUB, H X 1-1/4 W/SET SCREW
1	1	101103	ASSY, VACUUM RELIEF
QTY	ITEM	PART NO.	DESCRIPTION

SECTION FIVE: PARTS LISTING AND REFERENCE
122816, VACUUM RELIEF VALVE ASSEMBLY



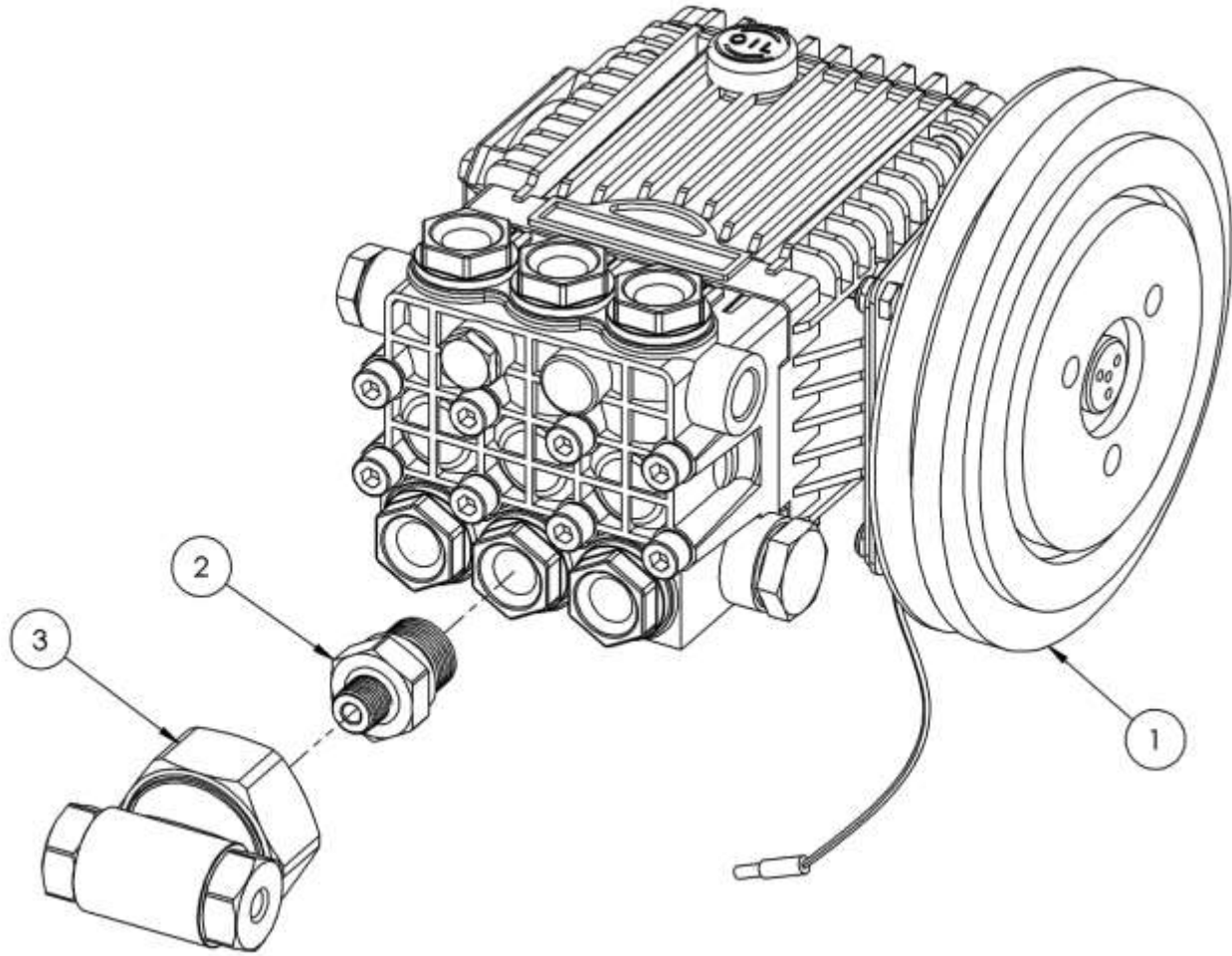
2	9	111313	NUT, 7/16-14 ZP
1	8	124460	WASHER, FLAT 5/16 SAE ZINC
1	7	112293	PIN, COTTER 7/64 X 3/4 SS
1	6	113074	SPRING, VAC RELIEF VALVE
2	5	110781	CONN, 1/8 P X 1/4 POLY
1	4	103818	DIAPHRAGM, VAC RELIEF 3L&4M
1	3	120288	WELDMENT, VACUUM STEM
1	2	103284	BUSHING, SMALL SPRING RETAINER
1	1	121377	VAC BRAKE, MACHINED 3L
QTY	ITEM	PART NO.	DESCRIPTION

SECTION FIVE: PARTS LISTING AND REFERENCE
100933, PRESSURE PUMP ASSEMBLY



4	21	125699	SCREW, MACH M8-1.25 X 25MM HXHD G8.8 ZP
1	20	124815	BOLT, TAP 3/8-16 X 3 GR 5
4	19	124824	NUT, 3/8-16 NYLOK
5	18	120150	WASHER, FLAT 3/8 USS
1	17	108930	LKWSR, 3/8 ZINC
4	16	126570	LKWSR, 5/16 ZINC
4	15	124460	WASHER, FLAT 5/16 SAE ZINC
1	14	105696	HOSE ASSY, 3/16 ID X 04 FJIC X 04 FJIC X 16.5L
1	13	105996	HOSE, PULSE 3/8 X 26 3/8 MNPT ZP
1	12	105363	FTTG, BARB 1/8 P X 5/16 H BR
1	11	116271	ELL, STREET 1/8 IN BRASS
1	10	104999	ELL, STREET 3/8 IN 45 DEG BRASS
1	9	104988	ELL, 1-8P X 1/4 T BRASS
1	8	104994	ELL, 3/8 NPT X 1/2 JIC 45 DEG BRASS
1	7	112849	PLUG, 1/4 JIC BRASS
1	6	105083	ELL, 1/2P X 3/4H 45 DEG BRASS
1	5	116265	ELL, 1/4 BSPP X 1/4 JIC STEEL
10 IN	4	110273	LOOM, HI HEAT .250 DIA. BLACK
1	3	116854	WELDMENT, PRESS PUMP BRKT
2	2	115389	WELDMENT, WTR PUMP BOLT PLT
1	1	117805	KIT, GP PUMP 370A LEGEND PEAK
QTY	ITEM	PART NO.	DESCRIPTION

SECTION FIVE: PARTS LISTING AND REFERENCE
117805, PRESSURE PUMP BREAKDOWN



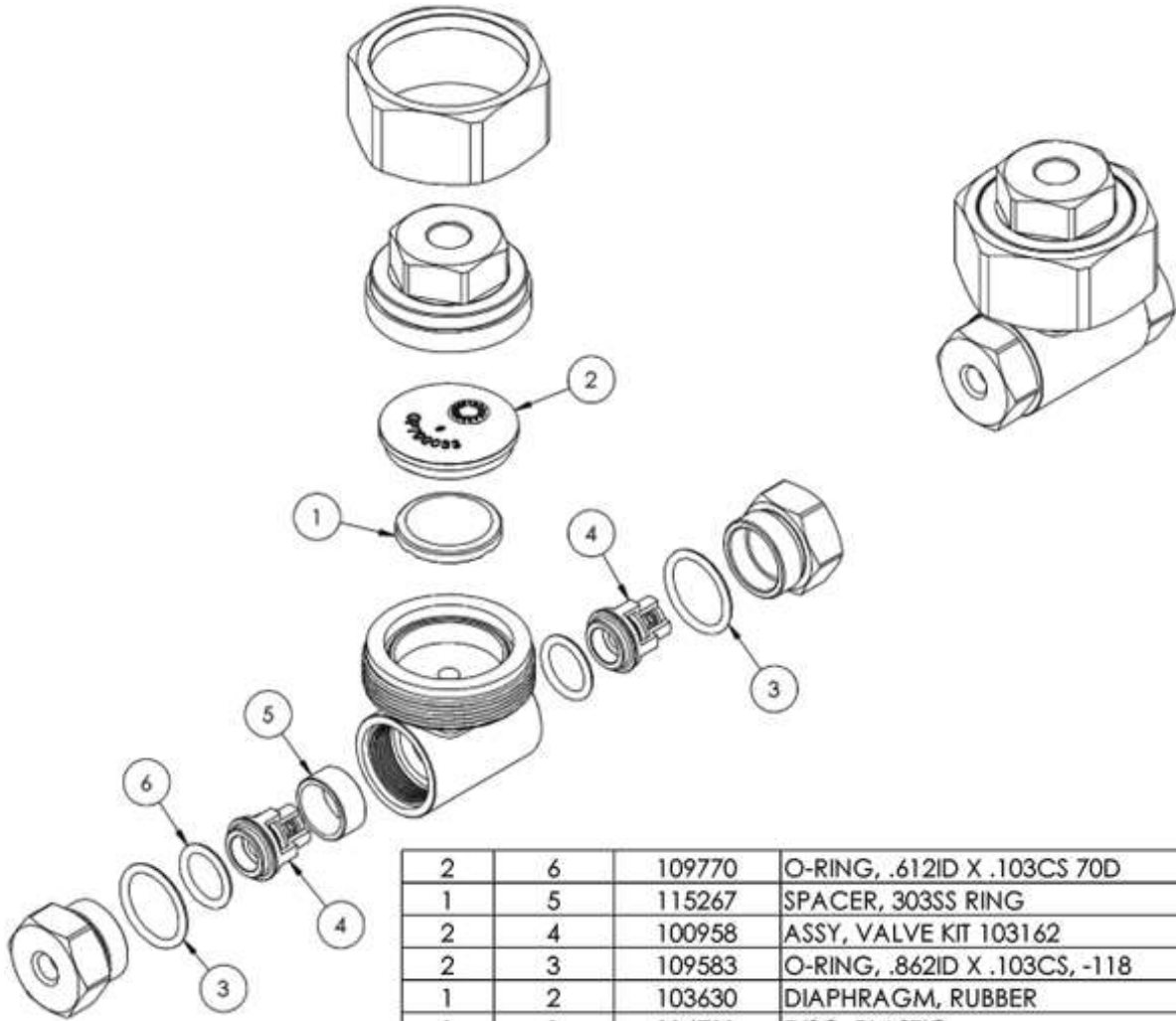
1	3	119114	PUMP, CHEMICAL GENERAL 100906
1	2	101624	ADAPTER, 63(TX) PUMP SERIES
1	1	119110	PUMP, WATER GENERAL HTX1813S
QTY	ITEM	PART NO.	DESCRIPTION

AVAILABLE FOR SERVICE:

117826, SEAL KIT, HTS PUMP SERIES (20MM PLUNGER SEAL REPLACEMENT KIT)

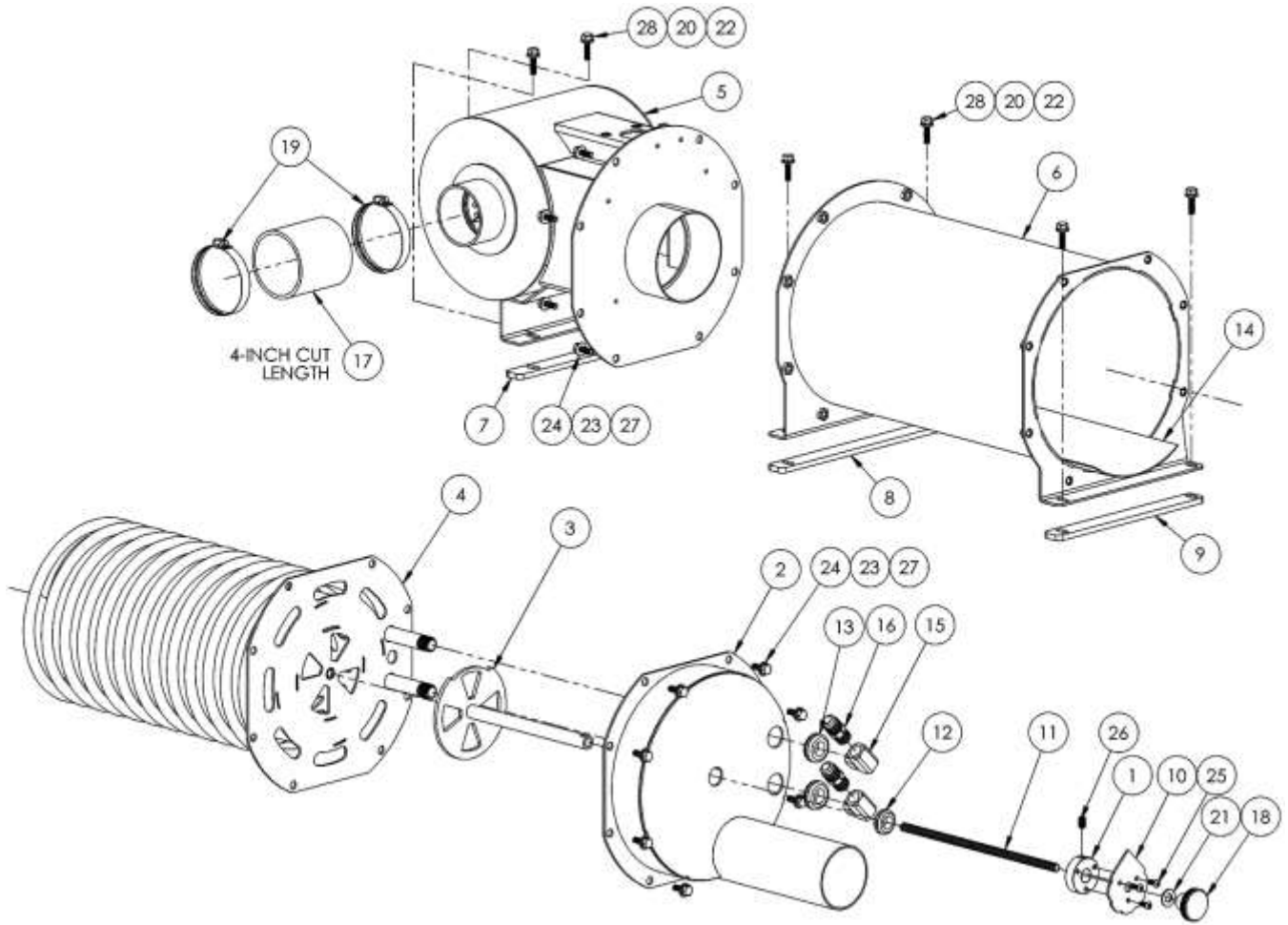
107429, VALVE KIT, HTS PUMP SERIES (HIGH TEMPERATURE VALVE REPLACEMENT KIT)

SECTION FIVE: PARTS LISTING AND REFERENCE
119114, PUMP, CHEMICAL GENERAL 100906



2	6	109770	O-RING, .612ID X .103CS 70D
1	5	115267	SPACER, 303SS RING
2	4	100958	ASSY, VALVE KIT 103162
2	3	109583	O-RING, .862ID X .103CS, -118
1	2	103630	DIAPHRAGM, RUBBER
1	1	114711	DISC, PLASTIC
QTY	ITEM NO.	PART NO.	DESCRIPTION

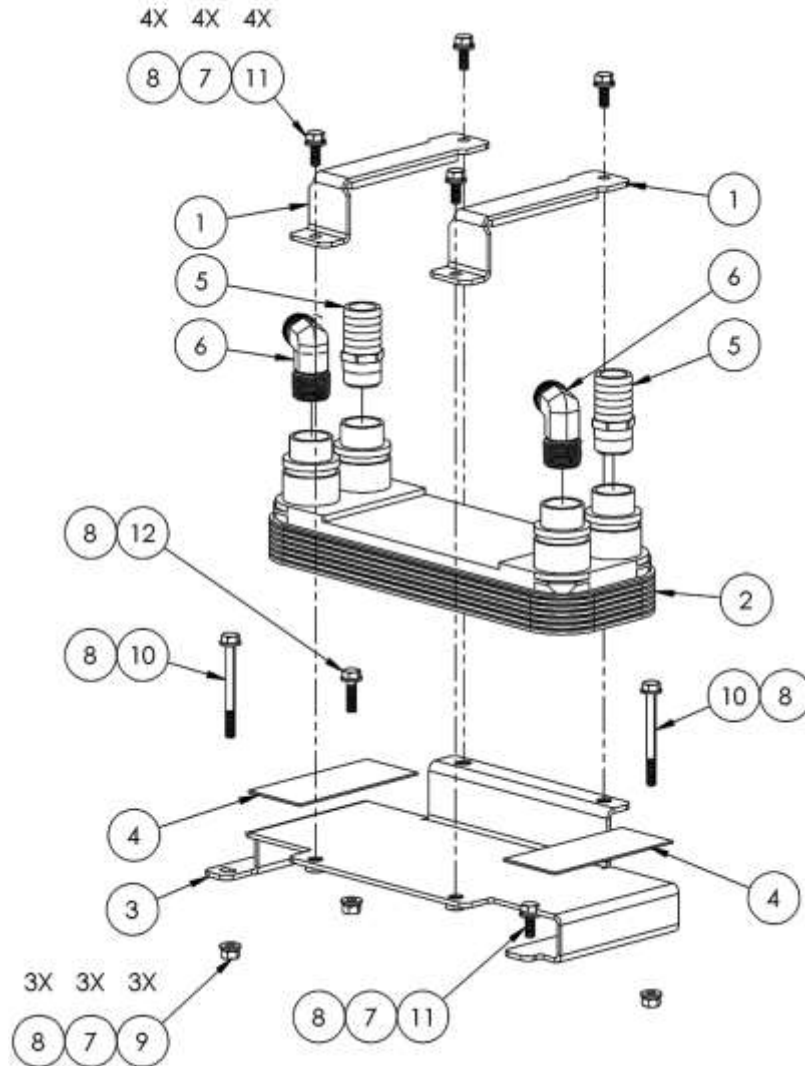
SECTION FIVE: PARTS LISTING AND REFERENCE
100537, HEAT EXCHANGER ASSEMBLY



SECTION FIVE: PARTS LISTING AND REFERENCE
100537, HEAT EXCHANGER ASSEMBLY BOM TABLE

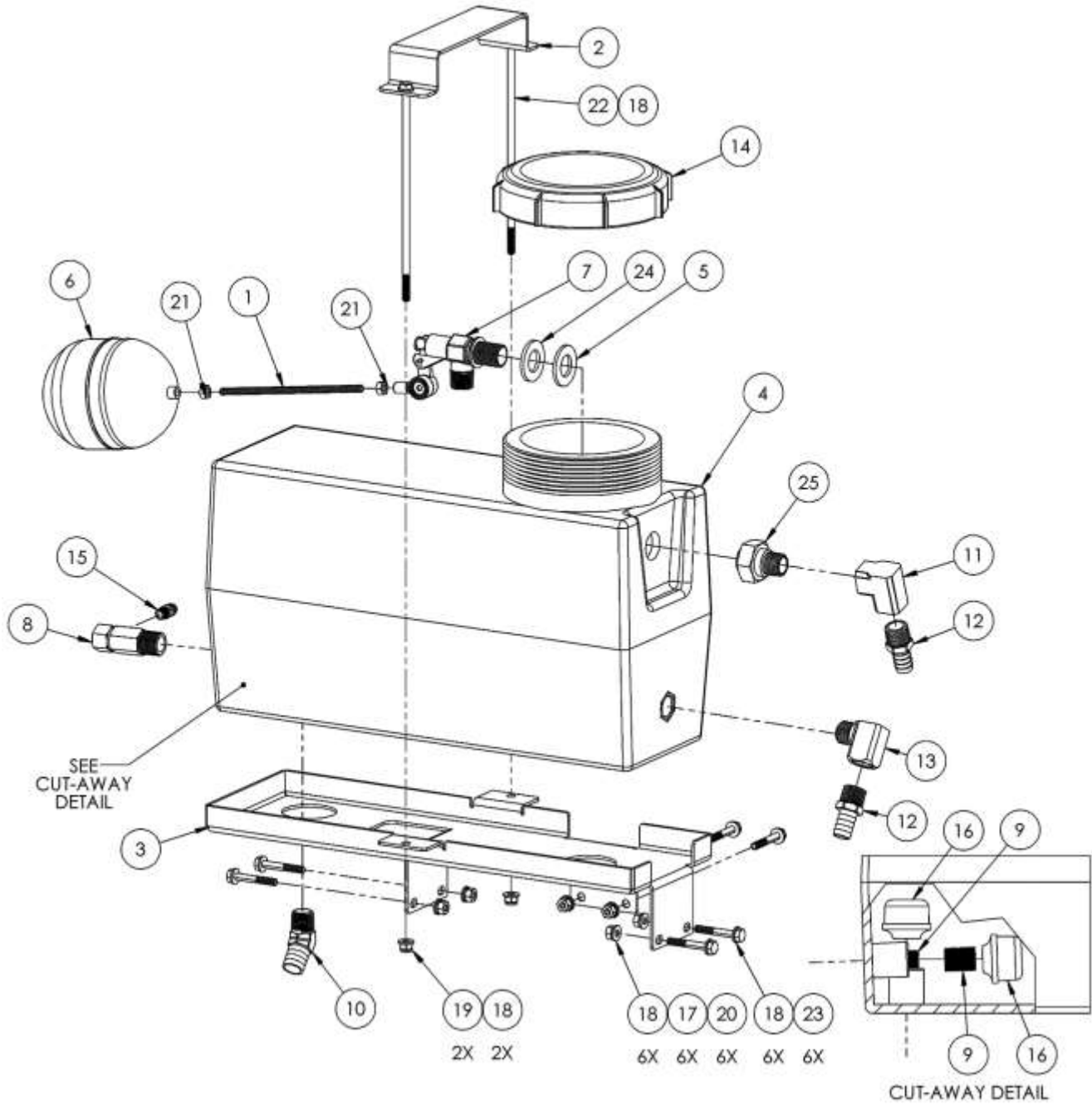
6	28	124615	SCREW, MACH 1/4-20 X 1 HXHD ZPS
16	27	125344	SCREW, MACH 1/4-20 X 3/4 HXHD SS
1	26	125345	SCREW, SET 5/16-18 X 1/2 BO
3	25	125343	SCREW, MACH 10-32 X 1/2 BHSCS ZP
16	24	116630	WASHER, FLAT 1/4 SS ANC
16	23	118145	LKWSR, 1/4 IN SS
6	22	124468	WASHER, FLAT #12 SAE
1	21	120150	WASHER, FLAT 3/8 USS
6	20	124461	LKWSR, 1/4 ZINC
2	19	102688	CLAMP, HOSE #44 SS
1	18	108892	KNOB, STEEL ROUND KNURLED RIM BO
4.00 IN	17	107544	HOSE, 2.88 IN ID X 3FT SILICONE 550F
2	16	103120	CONN, 3/8 NPT X 1/2 JIC BRASS
2	15	104993	ELL, 3/8 FNPT X 3/8 FNPT BRASS
1	14	117158	GASKET, 5-13/16 X 17 X .062 SILICONE SHT W/PSA
2	13	105429	GROMMET, 1.31 OD X .69 ID X .12 PNL SILICONE
1	12	105703	GROMMET, 1.13 OD X .63 ID X .12 PNL SILICONE
1	11	101729	ALL THREAD, 3/8-16 X 10 IN LG PLAIN GRD A
1	10	118870	PLT, EXHAUST OUTLET INDICATOR
1	9	113285	SPACER, HEAT EXCHANGER FRONT
1	8	119592	SPACER, HEAT EXCHANGER MID
1	7	113054	SPACER, HEAT EXCHANGER REAR
1	6	115142	WELDMENT, HOUSING
1	5	120239	WELDMENT, MUFFLER
1	4	100540	ASSY, FINNED TUBE COIL
1	3	117057	WMT, EXHAUST BYPASS
1	2	120422	WMT, EXHAUST OUTLET COVER
1	1	111116	MOUNT, EXHAUST OUTLET INDICATOR
QTY	ITEM	PART NO.	DESCRIPTION

SECTION FIVE: PARTS LISTING AND REFERENCE
102880, COOLANT HEAT EXCHANGER



1	12	124621	SCREW, MACH 1/4-20 X 1 HXHD SS
5	11	112553	SCREW, MACH 1/4-20 X 3/4 HXHD ZP
2	10	124467	SCREW, MACH 1/4-20 X 2-3/4HXHD
3	9	126799	NUT, 1/4-20 ZINC
11	8	124468	WASHER, FLAT #12 SAE
8	7	124461	LKWSR, 1/4 ZINC
2	6	116269	ELL, 3/4 P X 1/2 T BRASS
2	5	105355	FTTG, 3/4P X 1H BRASS
2	4	105481	GASKET, HEAT EXCHANGER BRKT
1	3	116803	WELDMENT, HEAT EXCH BASE
1	2	107235	HEAT EXCHANGER, PLATE
2	1	100733	ASSY, PLT HEAT EXCH CLAMP
QTY	ITEM	PART NO.	DESCRIPTION

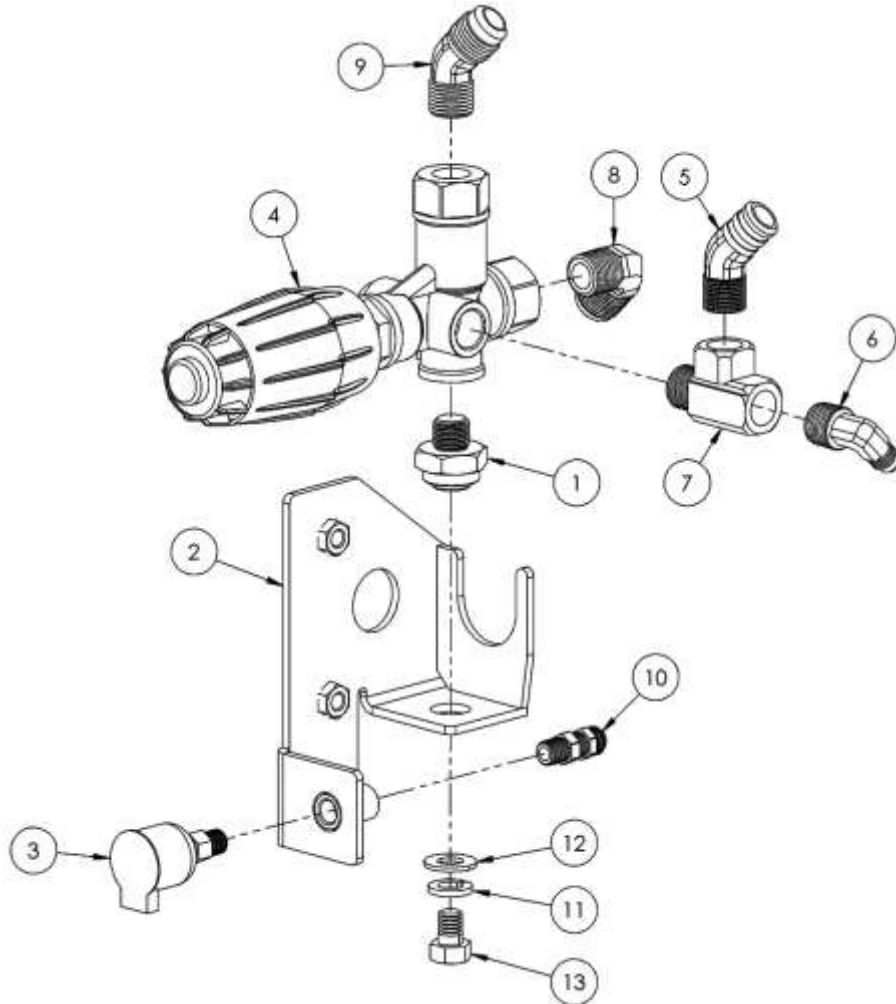
SECTION FIVE: PARTS LISTING AND REFERENCE
104938, WATER BOX ASSEMBLY



SECTION FIVE: PARTS LISTING AND REFERENCE
104938, WATER BOX ASSEMBLY

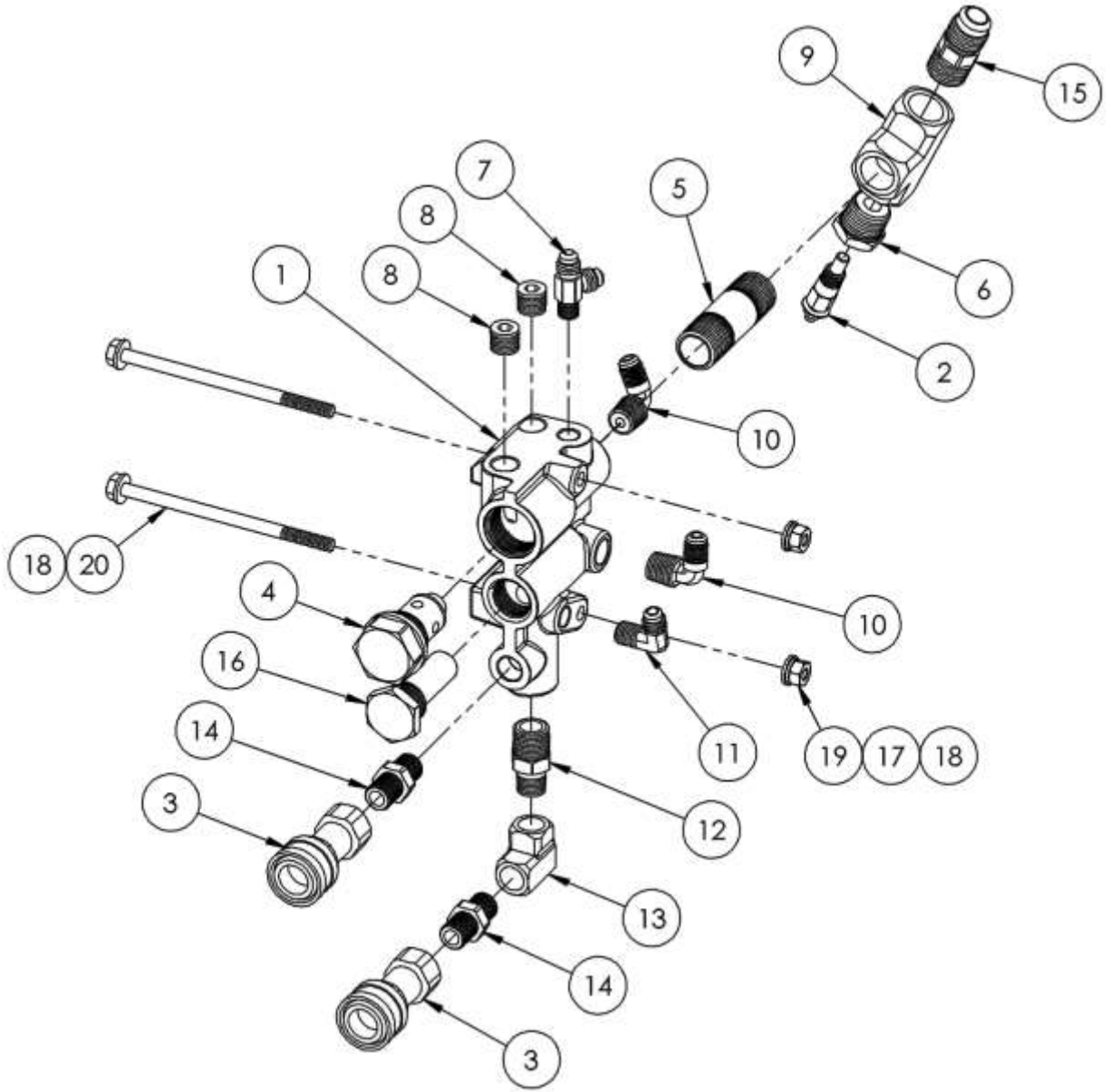
1	25	126783	ADAPTER, FLOAT VALVE
1	24	126782	PLT, FLOAT VALVE WASHER
6	23	124663	SCREW, MACH, 1/4-20 X 1-3/4 HXHD Z5
2	22	126804	SCREW, MACH 1/4-20 X 8 HXHD ZP
2	21	111379	NUT, 1/4-20 SS
6	20	126799	NUT, 1/4-20 ZINC
2	19	124865	NUT, 1/4-20 NYLOK ZP
16	18	124468	WASHER, FLAT #12 SAE
6	17	124461	LKWSR, 1/4 ZINC
2	16	119684	STRAINER, SUC END1/2FP 40 MESH
1	15	103760	CONN, 1/8 P X 1/4 T BR
1	14	103378	CAP, 5 IN, BLACK
1	13	104078	ELL, STREET 1/2 NPT BRASS
2	12	105074	FTTG, 1/2 NPT X 5/8 BARB BRASS
1	11	104081	ELL, 1/2 NPT BRASS
1	10	105083	ELL, 1/2P X 3/4H 45 DEG BRASS
2	9	109516	NIPPLE, 1/2 NPT CLOSE BRASS
1	8	120111	VALVE, 165 DEG THERMAL CAT 7145
1	7	126781	VALVE, FLOAT R700-1/2
1	6	101329	BALL, FLOAT
1	5	126780	GASKET, .81 ID X 1.50 OD X 3MM NEOPRENE
1	4	108631	MOLDING, WATER BOX LEGEND
1	3	102160	BRKT, WTR BOX MTG
1	2	102025	BRKT, WTR BOX HOLDDOWN
1	1	112032	ROD, FLOAT 6 IN SS
QTY	ITEM	PART NO.	DESCRIPTION

SECTION FIVE: PARTS LISTING AND REFERENCE
100739, PRESSURE REGULATOR ASSEMBLY



1	13	126260	SCREW, MACH 3/8-16 X 1/2 HH ZP
1	12	120150	WASHER, FLAT 3/8 USS
1	11	108930	LKWSR, 3/8 ZINC
1	10	110781	CONN, 1/8 P X 1/4 POLY
1	9	104994	ELL, 3/8 NPT X 1/2 JIC 45 DEG BRASS
1	8	104995	ELL, 3/8 P X 1/2 T BRASS
1	7	113977	TEE, 3/8 FNPT X NPT X FNPT BRASS
1	6	104397	ELL, 3/8 P X 1/4 T BRASS
1	5	117120	FITG, BARB 45 DEG 3/8P X 5/8H
1	4	111848	UNLOADER, VRT3 1500 PSI
1	3	104254	CUP, OILFILL, 1/8 NPT
1	2	117069	WMT, PRESSURE REG BRKT
1	1	104734	FITTING, 3/8 NPT M X 3/8-16 F STANDOFF
QTY	ITEM	PART NO.	DESCRIPTION

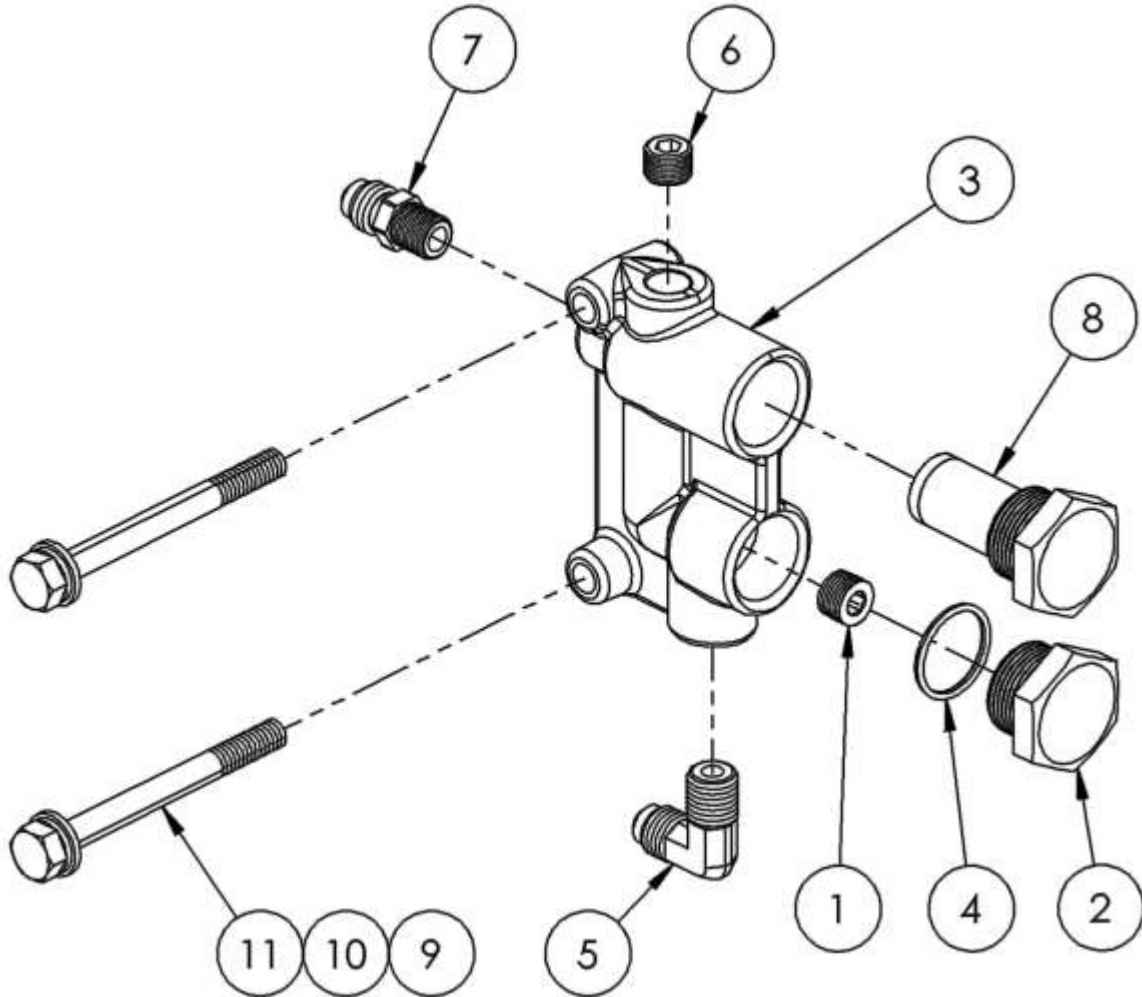
SECTION FIVE: PARTS LISTING AND REFERENCE
104030, SOLUTION MANIFOLD ASSEMBLY



SECTION FIVE: PARTS LISTING AND REFERENCE
104030, SOLUTION MANIFOLD ASSEMBLY BOM TABLE

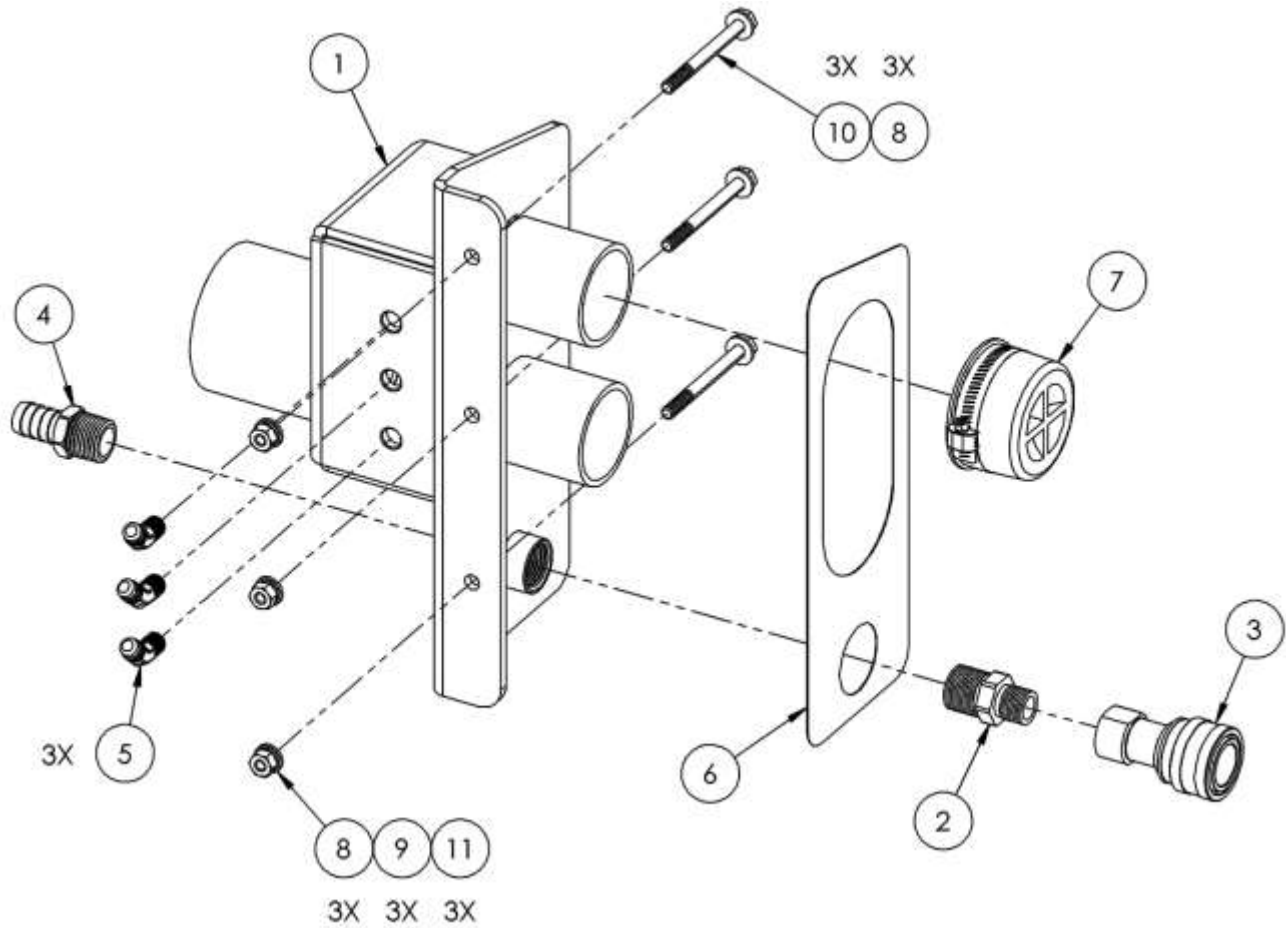
2	20	124832	BOLT, 1/4-20 X 4-1/2 HH ZP
2	19	126799	NUT, 1/4-20 ZINC
4	18	124468	WASHER, FLAT #12 SAE
2	17	124461	LKWSR, 1/4 ZINC
1	16	112493	SCREEN, CHECK VALVE MANIFOLD
1	15	102831	CONN, 1/2 NPT X 1/2 T BRASS
2	14	108790	NIP, 1/4 HEX BRASS
1	13	104988	ELL, 1/4 IN. BRASS
1	12	118367	NIP, 3-8 X 1-4 HEX BRASS
1	11	104988	ELL, 1-8P X 1/4 T BRASS
2	10	104192	ELL, 1/4 P X 1/4 T BRASS
1	9	115903	TEE, 1/2 NPT BRASS
2	8	112848	PLUG, 1/4 NPT BRASS
1	7	119800	TEE, RUN 1/8 NPT X 1/4 JIC X 1/4 JIC BRASS
1	6	103279	BUSHING, 1/2 NPT X 1/8 FNPT BRASS
1	5	111229	NIPPLE, 1/2 NPT X 2-1/2L 304SS
1	4	102878	ASSY, CHECK VALVE
2	3	116078	DSC, 1/4F X 1/4FP BRASS
1	2	112647	SENSOR, TEMP, 140-320 DEGREE
1	1	108193	MANIFOLD BLOCK
QTY	ITEM	PART NO.	DESCRIPTION

SECTION FIVE: PARTS LISTING AND REFERENCE
100481, BYPASS MANIFOLD ASSEMBLY



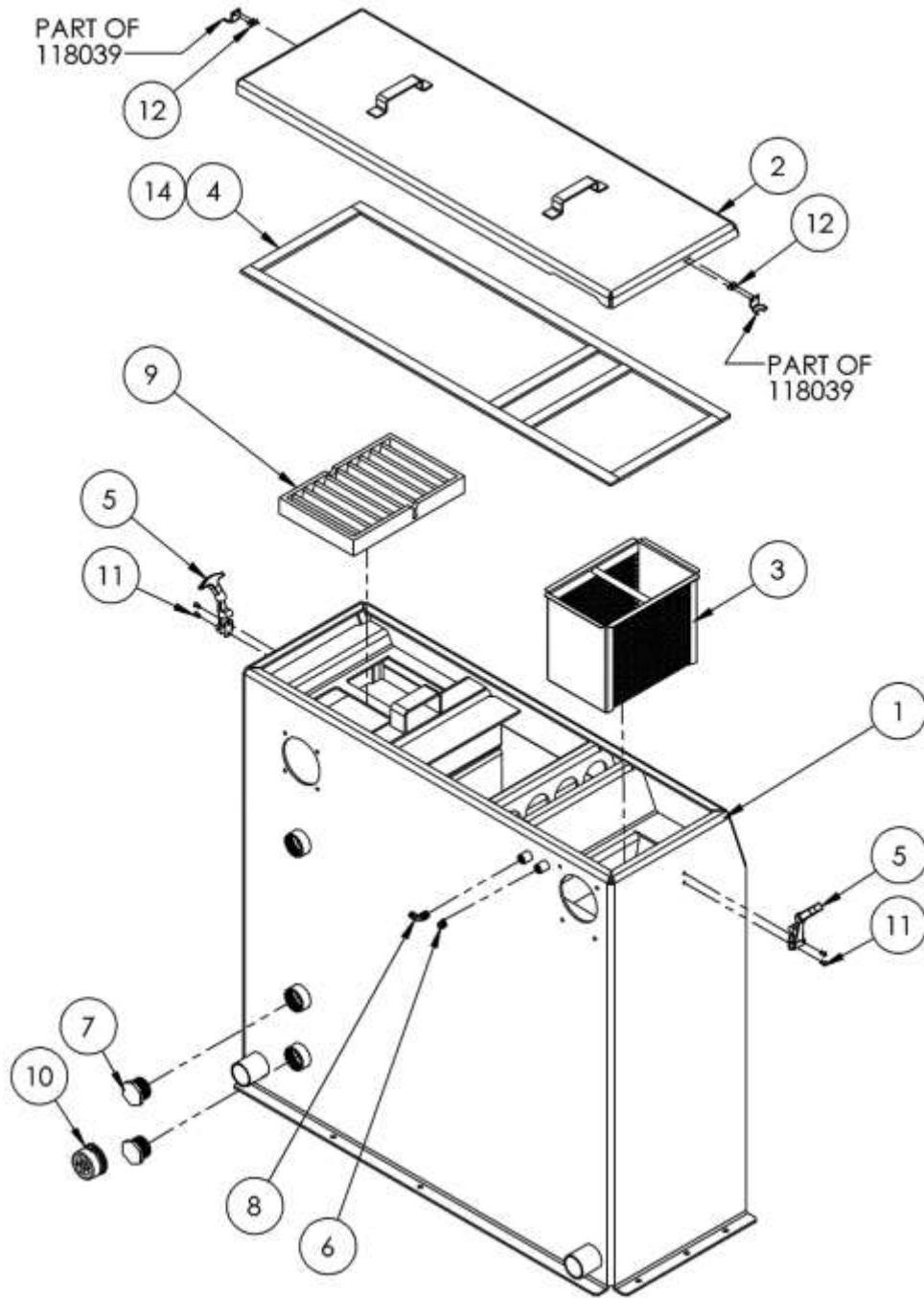
2	11	124467	SCREW, MACH 1/4-20 X 2-3/4HXHD
2	10	124468	WASHER, FLAT #12 SAE
2	9	124461	LKWSR, 1/4 ZINC
1	8	119375	SCREEN, BYPASS MANIFOLD
1	7	103760	CONN, 1/8 P X 1/4 T BR
1	6	112852	PLUG, 1/8 NPT SOCKET HD BRASS
1	5	104988	ELL, 1-8P X 1/4 T BRASS
1	4	109570	ORING, .676 ID .816 OD
1	3	118163	MANIFOLD, BYPASS
1	2	109488	CAP, CHECK VALVE
1	1	118463	ORIFICE, BYPASS, .029 RED
QTY	ITEM	PART NO.	DESCRIPTION

SECTION FIVE: PARTS LISTING AND REFERENCE
101157, WATER/VACUUM INLET BRACKET ASSEMBLY



3	11	126799	NUT, 1/4-20 ZINC
3	10	124467	SCREW, MACH 1/4-20 X 2-3/4HXHD
3	9	124461	LKWSR, 1/4 ZINC
6	8	124468	WASHER, FLAT #12 SAE
1	7	109182	CAP, PLUG 2IN RUBBER
1	6	104333	DECAL, WTR-VAC INLET
3	5	104191	ELL, 1-8 P X 1/4 T 45 DEG BRASS
1	4	105074	FTG, 1/2 NPT X 5/8 BARB BRASS
1	3	103866	QUICK COUPLING, 3/8 F X 3/8 FNPT BRASS
1	2	109511	NIPPLE, HEX 1/2 NPT X 3/8 NPT BRASS
1	1	115743	WMT, WTR-VAC INLET BRKT
QTY	ITEM	PART NO.	DESCRIPTION

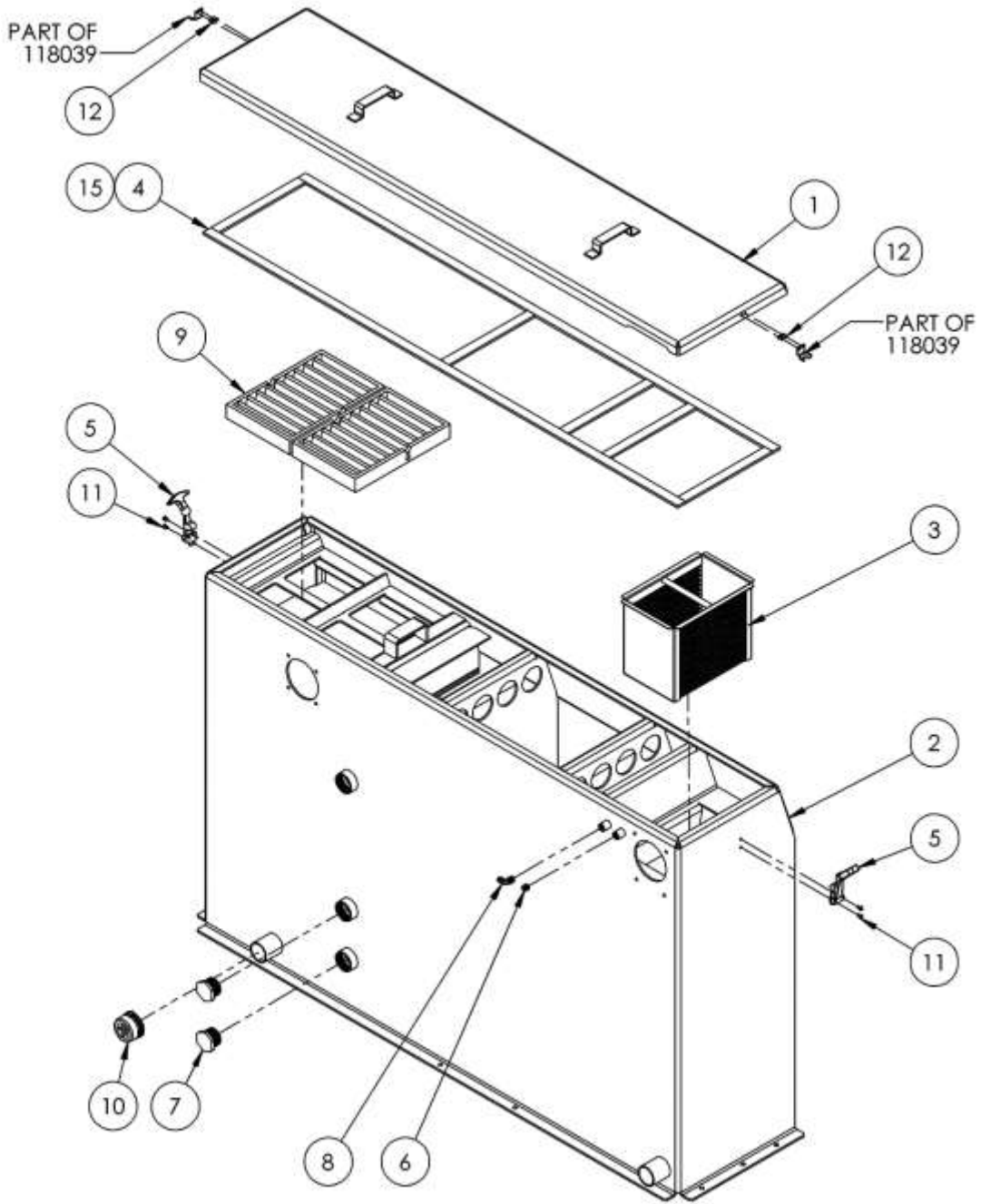
SECTION FIVE: PARTS LISTING AND REFERENCE
101143, 90 GALLON WASTE TANK ASSEMBLY



SECTION FIVE: PARTS LISTING AND REFERENCE
101143, 90 GALLON WASTE TANK ASSEMBLY TABLE

.34	13	100080	ADHESIVE, GASKET BOSTIK 1100 10.1 OZ TUBE
4	12	119275	RIVET, SS 3/16 LONG
4	11	126829	RIVET, SS 3/16 X 1/2 SHORT
1	10	109182	CAP, PLUG 2IN RUBBER
1	9	113537	STRAINER, WASTE TANK RECT
1	8	104192	ELL, 1/4 P X 1/4 T BRASS
2	7	110948	PLUG, 1-1/4 IN PVC
1	6	112848	PLUG, 1/4 NPT BRASS
2	5	118039	LATCH, PRE-FILTER BOX
124 IN	4	122932	GASKET, SPONGE 1 IN X 45 FT
1	3	101458	WELDMENT, STRAINER BASKET
1	2	116904	WELDMENT, WASTE TANK LID 90 GAL
1	1	115688	WELDMENT, WASTE TANK 90 GAL
QTY	ITEM	PART NO.	DESCRIPTION

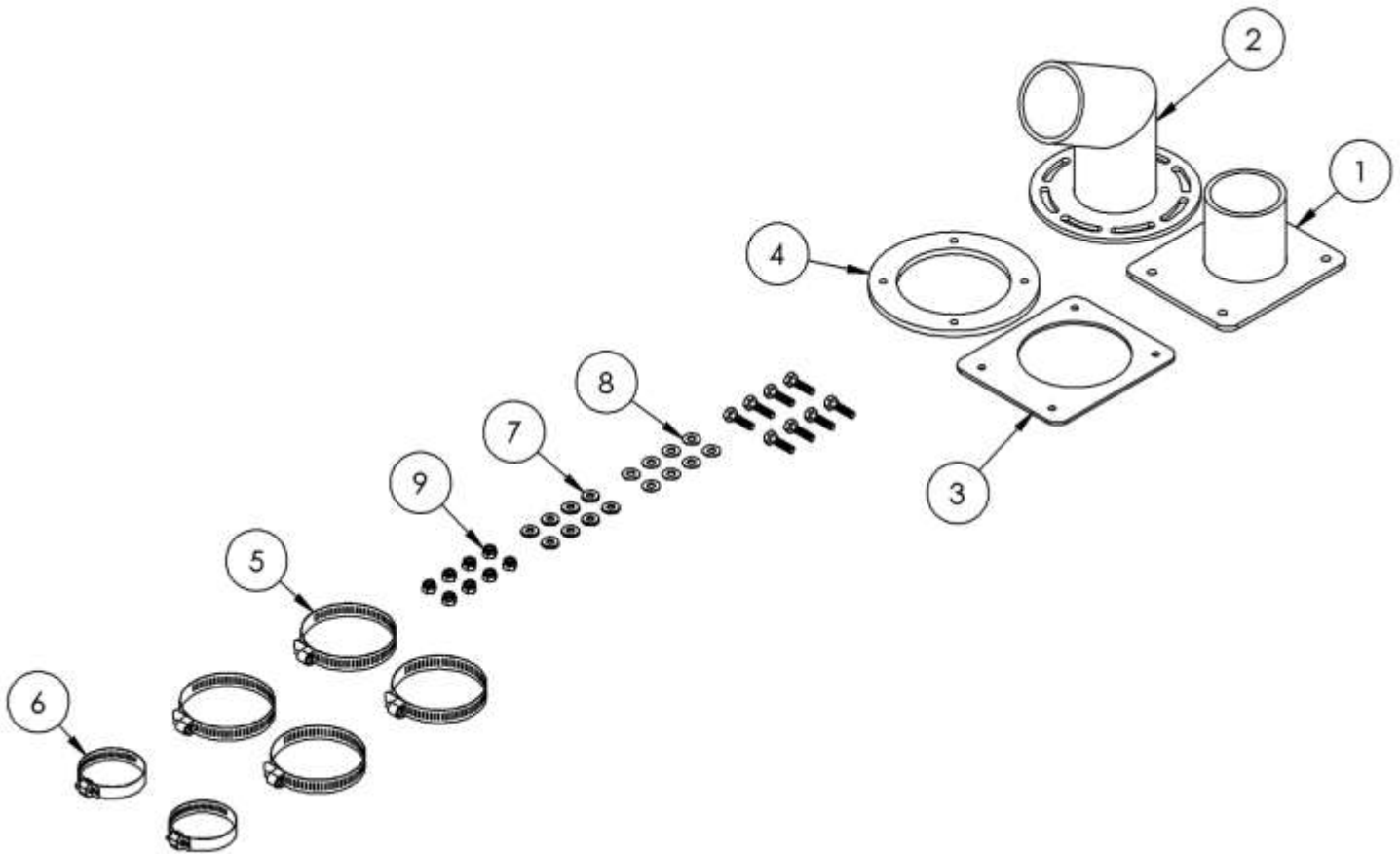
SECTION FIVE: PARTS LISTING AND REFERENCE
100860, 120 GALLON WASTE TANK ASSEMBLY



SECTION FIVE: PARTS LISTING AND REFERENCE
100860, 120 GALLON WASTE TANK ASSEMBLY TABLE

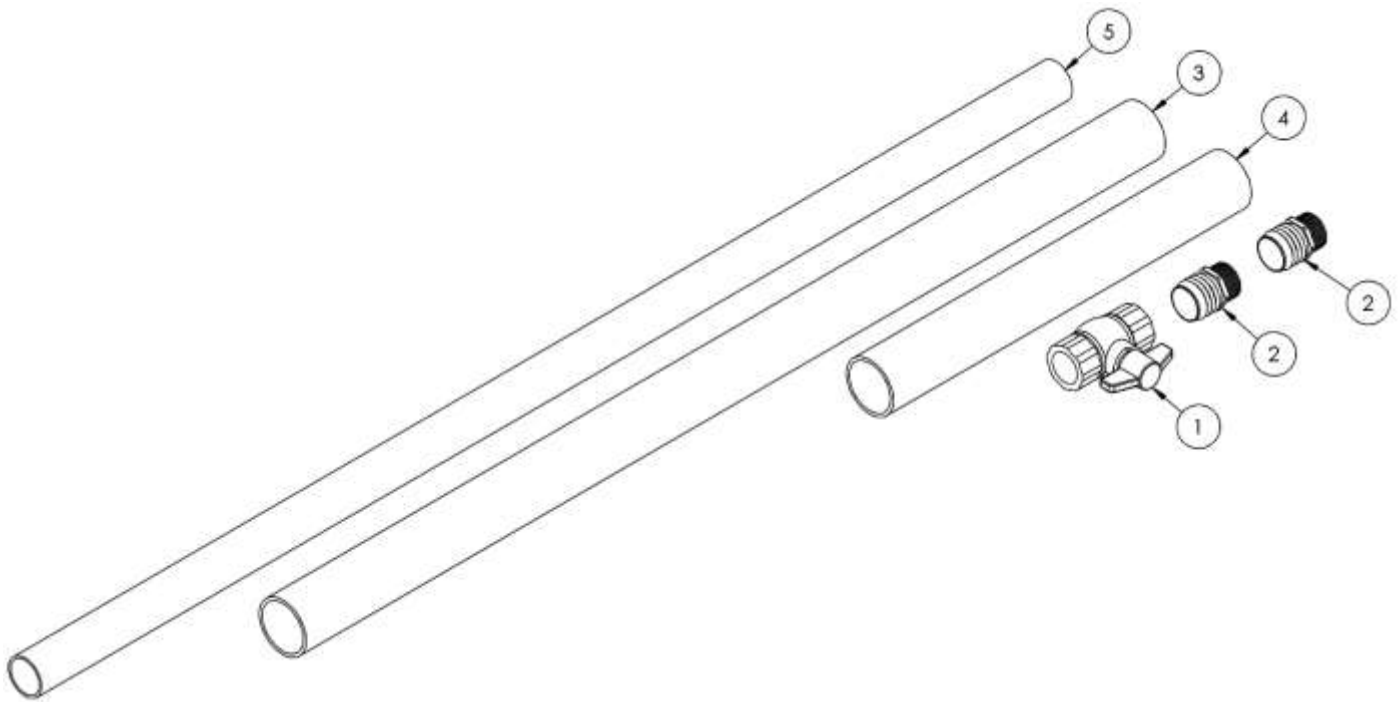
.48	13	100080	ADHESIVE, GASKET BOSTIK 1100 10.1 OZ TUBE
4	12	119275	RIVET, SS 3/16 LONG
4	11	126829	RIVET, SS 3/16 X 1/2 SHORT
1	10	109182	CAP, PLUG 2IN RUBBER
2	9	113537	STRAINER, WASTE TANK RECT
1	8	104192	ELL, 1/4 P X 1/4 T BRASS
2	7	110948	PLUG, 1-1/4 IN PVC
1	6	112848	PLUG, 1/4 NPT BRASS
2	5	118039	LATCH, PRE-FILTER BOX
175 IN	4	122932	GASKET, SPONGE 1 IN X 45 FT
1	3	101458	WELDMENT, STRAINER BASKET
1	2	116901	WELDMENT, WASTE TANK 120 GAL
1	1	115689	WELDMENT, WASTE TANK LID 120 GAL
QTY	ITEM	PART NO.	DESCRIPTION

SECTION FIVE: PARTS LISTING AND REFERENCE
108846, WASTE TANK PORTS KIT



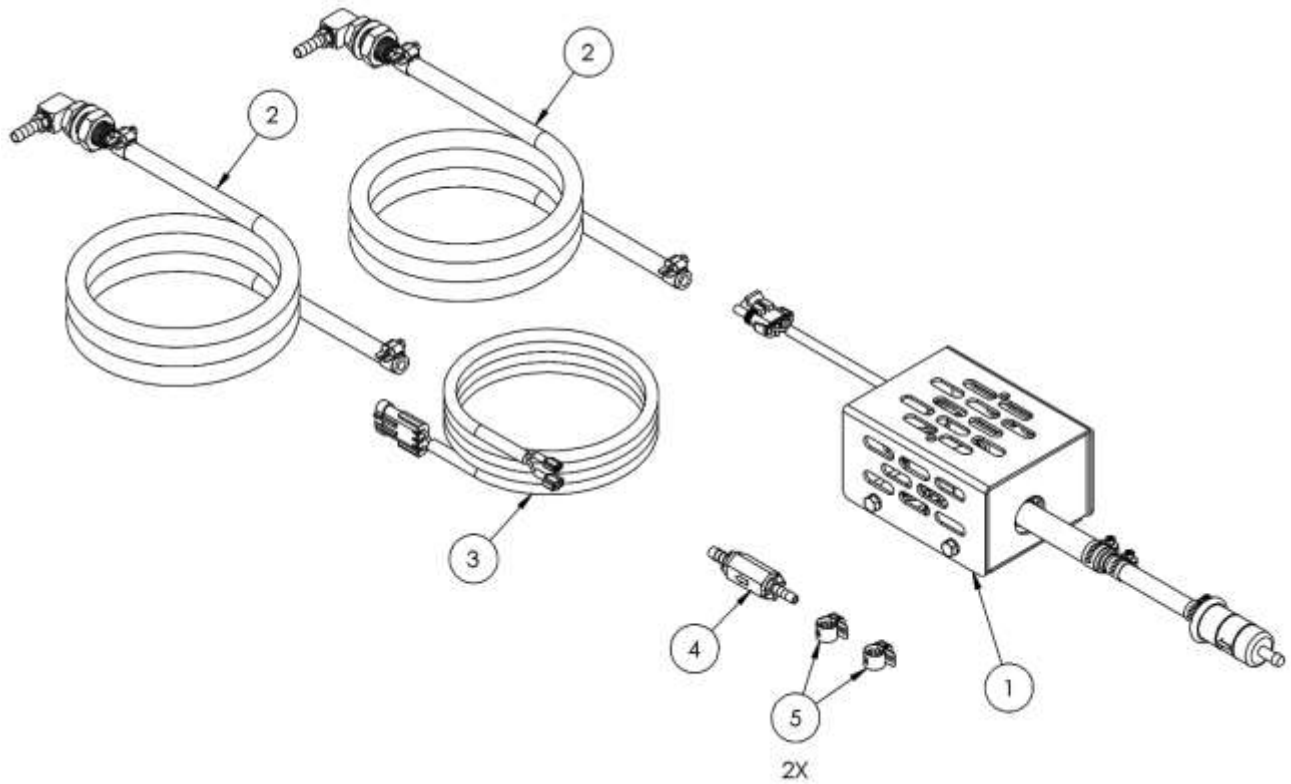
8	10	124621	SCREW, MACH 1/4-20 X 1 HXHD SS
8	9	125495	LKNUT, 1/4-20 NYLOK SS
8	8	116630	WASHER, FLAT 1/4 SS ANC
8	7	126813	WASHER, SEALING 1/4 GALV
2	6	103602	CLAMP, HOSE #32
4	5	103604	CLAMP, HOSE #48 SS
1	4	105558	GASKET, VAC OUTLET
1	3	105557	GASKET, VAC INLET LG
1	2	116659	WELDMENT, 2-7/8 VAC OUTLET
1	1	115952	WMT, 2-7/8 VAC INLET
QTY	ITEM	PART NO.	DESCRIPTION

SECTION FIVE: PARTS LISTING AND REFERENCE
107434, WASTE TANK HOSES KIT



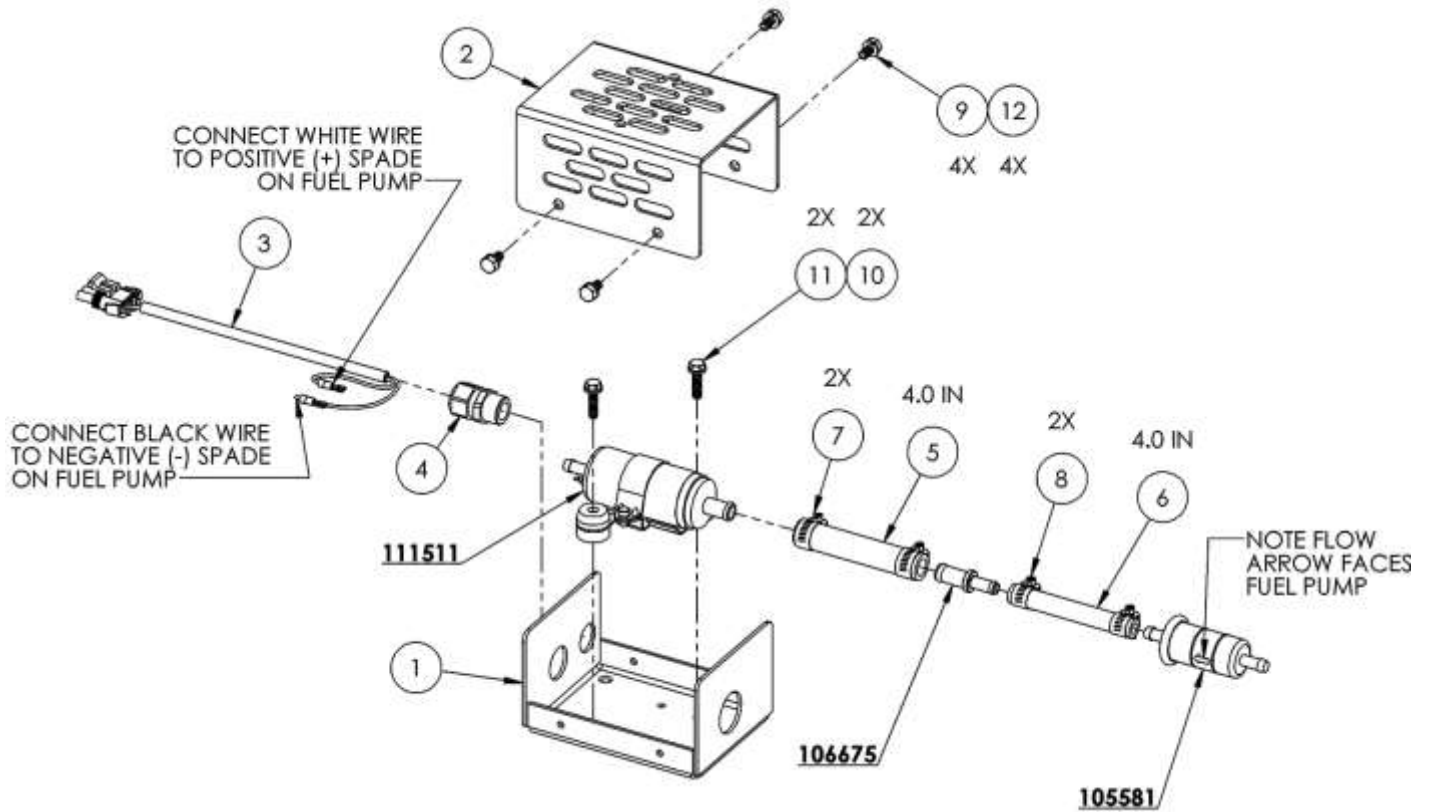
1	5	106362	HOSE, INT VACUUM 2 IN X 6 FT
1	4	117459	HOSE, INT VAC 2-7/8 X 25 IN
1	3	120875	HOSE, INT VAC 2-7/8 X 60 IN
2	2	105077	FTTG, 1-1/2 P X 2H DRAIN
1	1	116515	VLV, BALL 1-1/2 FP PVC DUMP
QTY	ITEM	PART NO.	DESCRIPTION

SECTION FIVE: PARTS LISTING AND REFERENCE
108709, FUEL PUMP KIT

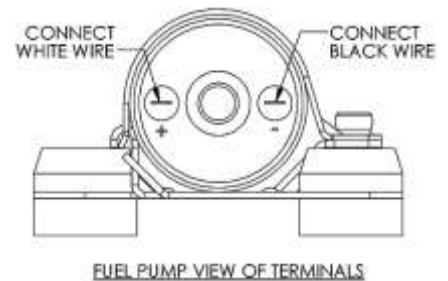


2	5	103663	CLAMP, HOSE #4
1	4	102759	CHECK VALVE, FUEL 5/16 X 1/4 POLY
1	3	105804	HARNESS,WIRE FUEL PUMP
2	2	107343	KIT. FUEL LINE BULKHEAD
1	1	100885	ASSY, FUEL PUMP
QTY	ITEM	PART NO.	DESCRIPTION

SECTION FIVE: PARTS LISTING AND REFERENCE
100885, FUEL PUMP AND HOUSING ASSEMBLY

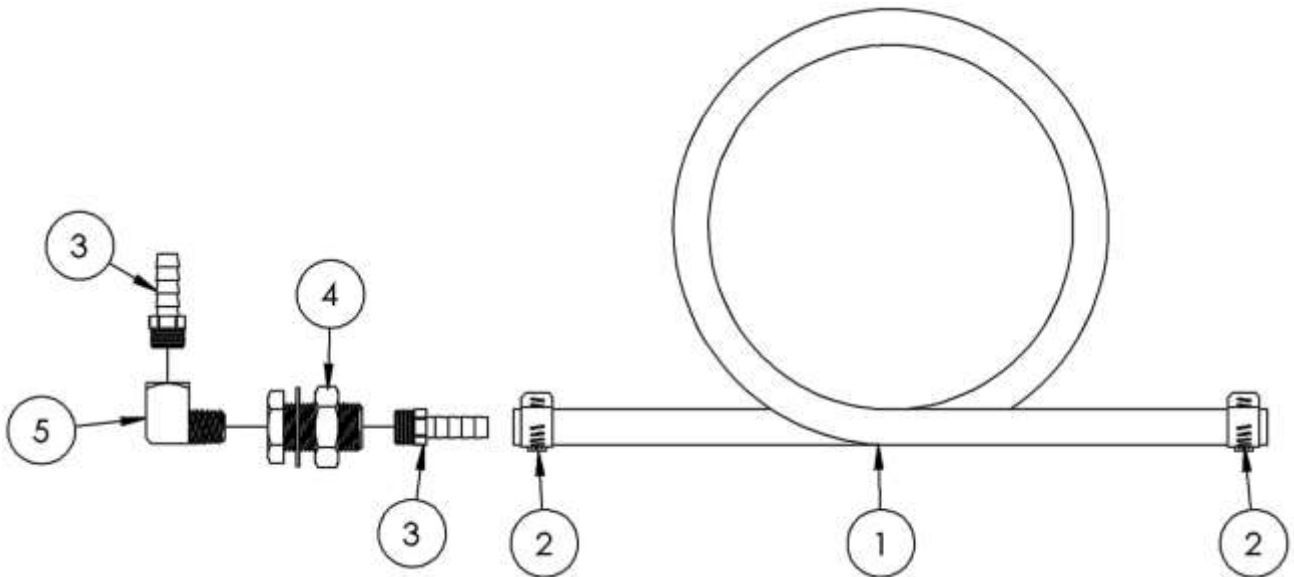


4	12	124614	SCREW, MACH 1/4-20 X 1/2 HXHD ZPS
2	11	124871	SCREW, M6-1.0 X 25MM HXHD G8.8 ZP
2	10	124466	WASHER, FLAT M6 ZP
4	9	124461	LKWSR, 1/4 ZINC
2	8	103663	CLAMP, HOSE #4
2	7	110211	CLAMP, HOSE #8
1	6	105925	HOSE, FUEL 5/16 30R9 FUEL INJECTION
1	5	117444	HOSE, FUEL 1/2 IN X 25 FT SAE J30R14T2
1	4	113264	STRAIN RELIEF #2612
1	3	107139	HARNES, FUEL PUMP
1	2	110734	PNL, BOX TOP FUEL PUMP
1	1	112990	PNL, BOX BOTTOM FUEL PUMP
QTY	ITEM	PART NO.	DESCRIPTION



SECTION FIVE: PARTS LISTING AND REFERENCE

107343, BULKHEAD FUEL FITTING/LINE ASSEMBLY



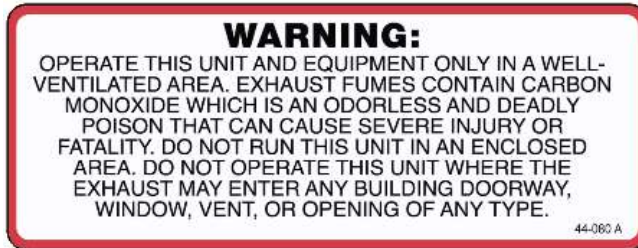
1	5	105000	FITTING - ELBOW 1/4 IN STREET BRASS
1	4	105088	FTTG, BULKHEAD 1/4 IN BRASS
2	3	106628	FITG, BRB 1/4 P X 5/16 H BRASS
2	2	103663	CLAMP, HOSE #4
1	1	105925	HOSE, FUEL 5/16 30R9 FUEL INJECTION
QTY	ITEM	PART NO.	DESCRIPTION

SECTION FIVE: PARTS LISTING AND REFERENCE

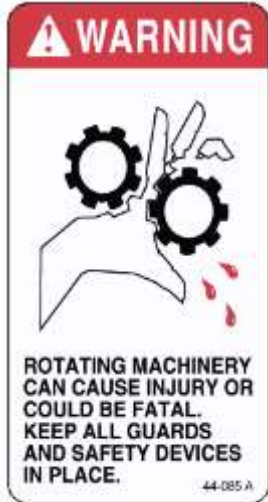
DECALS



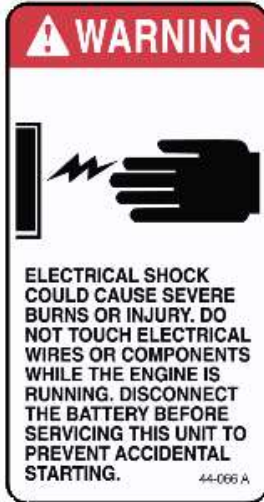
103640, DECAL, CAUTION HOT SURFACE



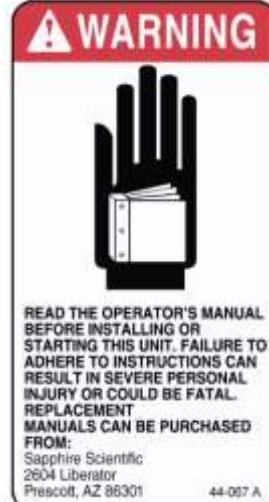
114169, DECAL, WARNING USE IN WELL VENTILATED AREA



104269, DECAL, WARNING ROTATING MACHINERY



104334, DECAL, WARNING ELECTRIC SHOCK



103434, DECAL, WARNING READ MANUAL



104317, DECAL, WARNING MANIFOLD MAINTENANCE



114165, DECAL, UNLEADED FUEL ONLY



103411, DECAL, 500 EMBLEM